



SYSTEM-FREE ACCESSORIES



OLAN – YOUR RELIABLE SCAFFOLDING SUPPLIER

2006

Founded by a synergy of Polish, Lithuanian and Norwegian entrepreneurs, we were focused on providing high quality scaffolding to local and foreign markets right from the beginning

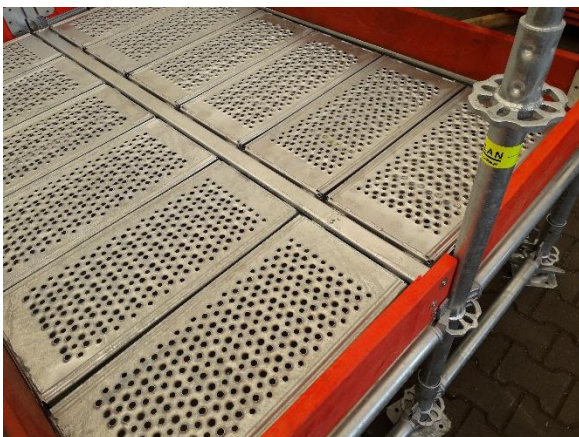
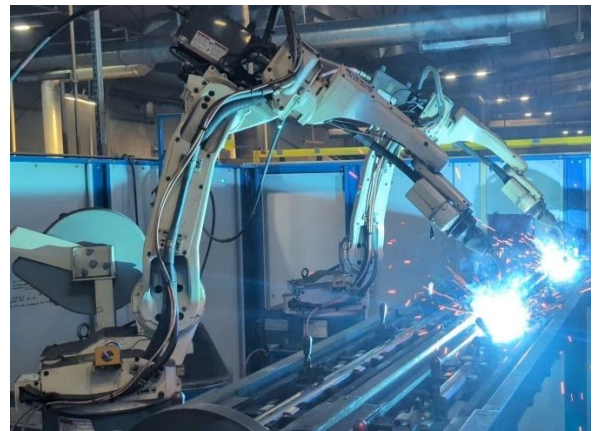


2012

OLAN moved to a newly built manufacturing facility in Żabokliki, Siedlce in Poland. Integration of new profiling, welding and assembly technologies allowed us to reach new heights

TODAY

We offer three scaffolding systems that are produced in both steel and aluminium. These are modular scaffolding R+, façade scaffolding EURO+ and Scandinavian type FOX. In addition, we supply temporary roofs, formwork and supporting modular towers, as well as temporary stand systems and masts



BASE JACK

Base jack on 150x150mm foot with threaded pipe and nut.

*tilted base jack

Article Nr.	Height (m)	Weight (kg)
RFS-12160	0,60	3,6
RFS-12080	0,80	5,2
RFS-12260*	0,60	3,3



CASTOR WHEEL

Wheel with a brake. Used in combination with adjustable base jack.

Article Nr.	Dimensions (mm)	Weight (kg)
RFS-25150	150	3,8
RFS-25200	200	4,6



SECURITY PIN

Standard element to be used to connect two frames.

Article Nr.	Dimensions (m)	Weight (kg)
RFS-00011	-	0,1



ACCESS LADDER

Ladder with perforated steps.

*aluminium version

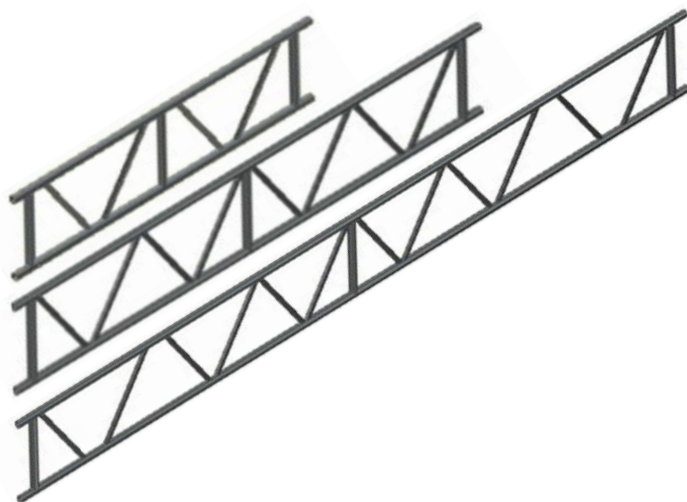
Article Nr.	Dimensions (m)	Weight (kg)
RFS-01021	2,15	10,6
RFS-01031	3,0	12,3
RFS-01041	4,0	12,5
RFA-01021*	2,15	3,8



STEEL LATTICE BEAM

Beams are used to make hanging platforms or a passage under scaffolding structure.

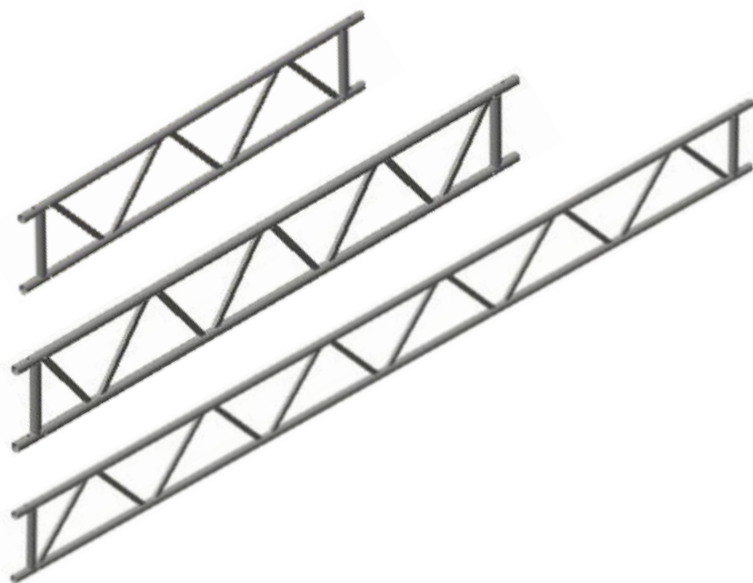
Article Nr.	Dimensions (m)	Weight (kg)
RFS-05324	3,24 x 0,50	35,5
RFS-05424	4,24 x 0,50	45,5
RFS-05524	5,24 x 0,50	54,5
RFS-05624	6,24 x 0,50	64,0



ALUMINIUM LATTICE BEAM

A lighter alternative to steel beams. Faster to handle, assemble and disassemble

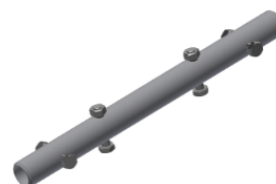
Article Nr.	Dimensions (m)	Weight (kg)
RFA-04300	3,00 x 0,40	15,7
RFA-04400	4,00 x 0,40	18,0
RFA-04524	5,24 x 0,40	20,9
RFA-04600	6,00 x 0,40	24,7
RFA-04624	6,24 x 0,40	25,1
RFA-04800	8,00 x 0,40	33,2
RFA-04824	8,24 x 0,40	34,0
RFA-05324	3,24 x 0,50	14,2
RFA-05424	4,24 x 0,50	18,8
RFA-05524	5,24 x 0,50	22,6
RFA-05624	6,24 x 0,50	26,4
RFA-05824	8,24 x 0,50	34,4



LATTICE BEAM CONNECTOR

Used with aluminium lattice beams. Allows to connect beams of various lengths.

Article Nr.	Dimensions (m)	Weight (kg)
RFA-05001	0,4	2,1



JIB FOR BLOCK

A necessary assistance for vertical material handling.

Article Nr.	Dimensions (m)	Weight (kg)
RFS-25080	0,85	7,0



WALL TIE

Ensures safe anchoring of scaffolding structure to the walls.

Article Nr.	Dimensions (m)	Weight (kg)
RFS-17040	0,40	1,7
RFS-17050	0,50	2,0
RFS-17085	0,85	3,1
RFS-17110	1,10	4,8
RFS-17130	1,30	4,9



EYE BOLT

Is screwed into the wall to attach wall tie to.

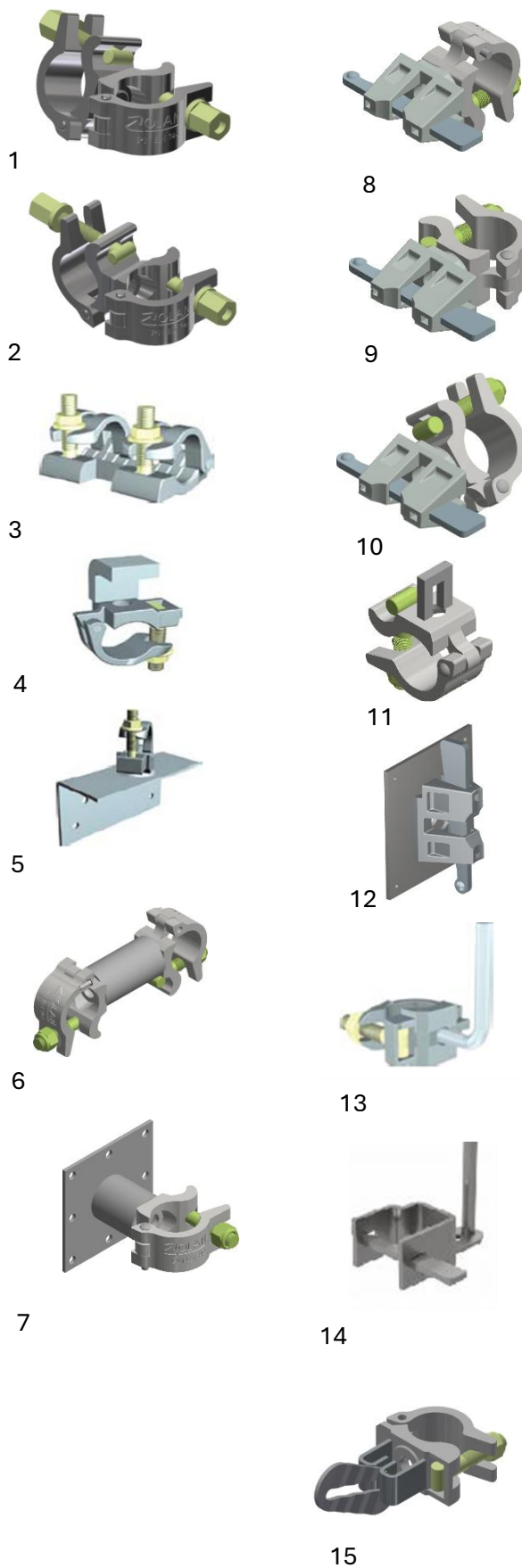
Article Nr.	Dimensions (m)	Weight (kg)
ZSR-0120	0,12	0,1
ZSR-00300	0,30	0,3



COUPLERS

We provide a wide range of couplers for any need there could be on a scaffolding site.

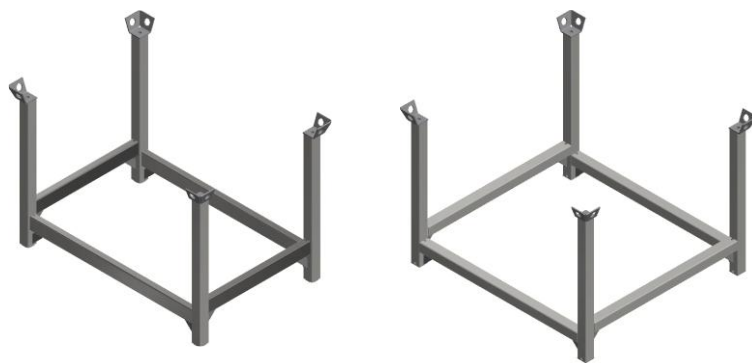
	Article Nr.	Type	Weight (kg)
1	ZNN-ZB01CH	Swivel	1,0
2	ZNN-ZB02CH	Rigid	0,8
3	ZNN-07049	Sleeve	1,5
4	ZNN-07030	Hook	1,0
5	ZNN-07200	Angle bracket	1,7
6	RFS-22001	Distance	1,8
7	RSR-22053	Wall-coupler	1,2
8	RSR-22003	Hor. wedge	2,0
9	RSR-22003V	Vertical wedge	2,0
10	RSR-22003S	Swivel wedge	2,1
11	RSR-22004	Wedge connector	0,9
12	RSR-22052	Wall-console	1,0
13	ZNN-07110	Toe board	0,9
14	ZNN-07111	Board w. wedge	0,9
15	ZNN-07048	Guardrail	0,9



MODULAR PALETTE

Used for easy transportation and storage of scaffolding elements.

Article Nr.	Dimensions (m)	Weight (kg)
RFS-61280	1,20 x 0,80	31,4
RFS-61290	1,20 x 0,90	31,9
RFS-61211	1,20 x 1,10	33,5



MODULAR BOX

An effective solution to store small elements like base jacks or couplers.

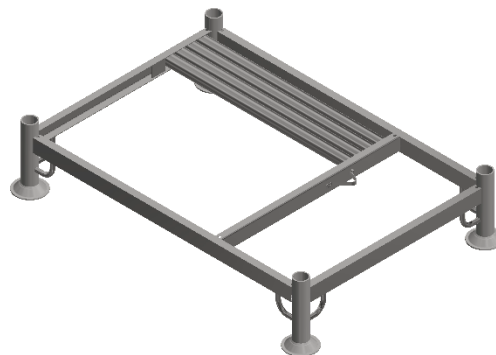
Article Nr.	Dimensions (m)	Weight (kg)
RFS-61281A	1,20 x 0,80	58,5
RFS-61281B	1,20 x 0,80	60,0



TUBE PALETTE

Compact and robust pallet. Easy to store in case pallet is not in use.

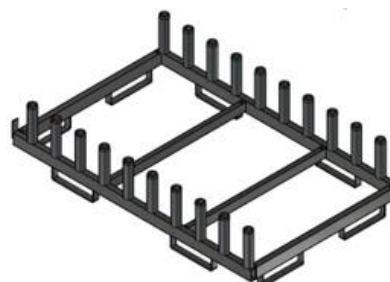
Article Nr.	Dimensions (m)	Weight (kg)
RFS-61285	1,25 x 0,85	35,5



PALETTE FOR FRAMES

Used to store and transport 20 frames. Can be used to store the whole set of frame scaffolding of 64 m².

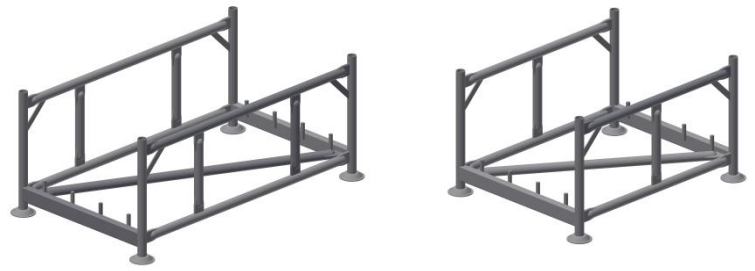
Article Nr.	Dimensions (m)	Weight (kg)
RFS-61274	1,20 x 0,73	19,5



MODULAR TUBE PALETTE

Storage solution for FOX scaffolding. Up to 5 palletes can be stacked on each other.

Article Nr.	Dimensions (m)	Weight (kg)
RNS-07110	1,10 x 0,85	46,5
RNS-07150	1,50 x 0,85	57,0



MODULAR PROFILE PALETTE

Storage solution for scaffolding elements. Made of 50x50cm profile. Does not have lifting hooks.

Article Nr.	Dimensions (m)	Weight (kg)
RNS-07113	1,15 x 0,75	35,5

