



WEATHER PROTECTION ROOFS



OLAN – YOUR RELIABLE SCAFFOLDING SUPPLIER

2006

Founded by a synergy of Polish, Lithuanian and Norwegian entrepreneurs, we were focused on providing high quality scaffolding to local and foreign markets right from the beginning

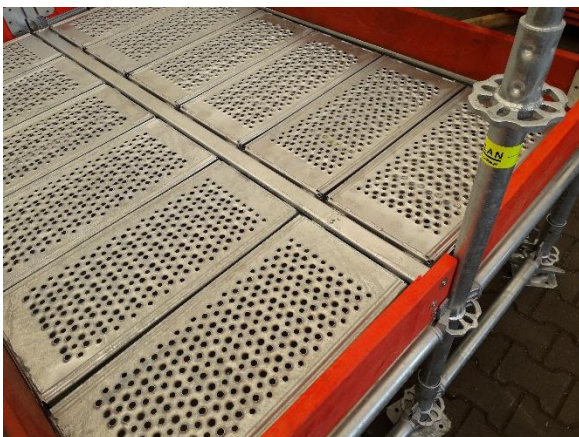
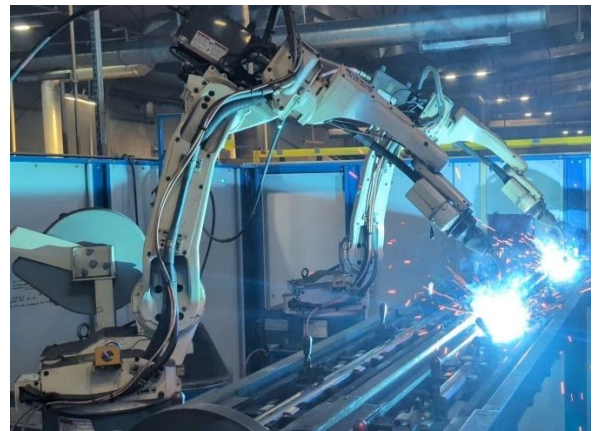


2012

OLAN moved to a newly built manufacturing facility in Żabokliki, Siedlce in Poland. Integration of new profiling, welding and assembly technologies allowed us to reach new heights

TODAY

We offer three scaffolding systems that are produced in both steel and aluminium. These are modular scaffolding R+, façade scaffolding EURO+ and Scandinavian type FOX. In addition, we supply temporary roofs, formwork and supporting modular towers, as well as temporary stand systems and masts



WEATHER PROTECTION ROOFS – COVEX

Our weather protection system COVEX is fully designed and manufactured in-house at OLAN, ensuring complete quality control at every stage. The system has proven to be a reliable and versatile solution for construction, industrial applications, and events.



To guarantee top performance, we invest heavily in prototyping and testing, using only premium-grade aluminium materials. Precision manufacturing with CNC technology ensures exact dimensional accuracy, while EN 1090–certified welding provides superior structural integrity.

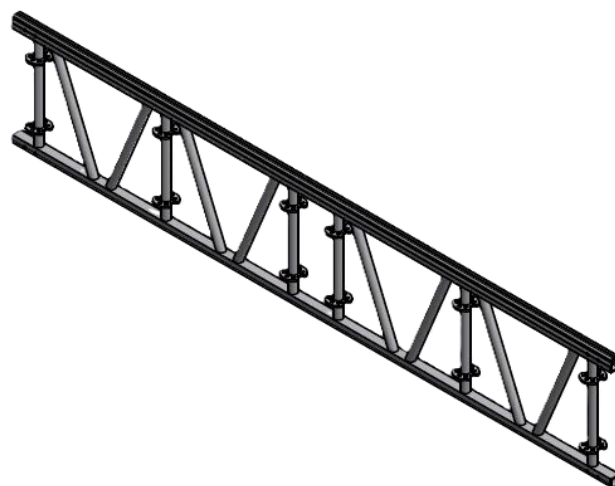
With our DB750 you would be able to assemble a roof of up to 35m in a standard configuration. While DB500 is a lighter system and allows a span of up to 18m. Both roofs could be extended with additional suspending elements, but that would require additional calculations and modelling.



ALUMINIUM GIRDER DB750

The girders are made of high-strength, special aluminium profiles. Welded mounting plates allow to easily connect braces, railguards and any other supplementary elements.

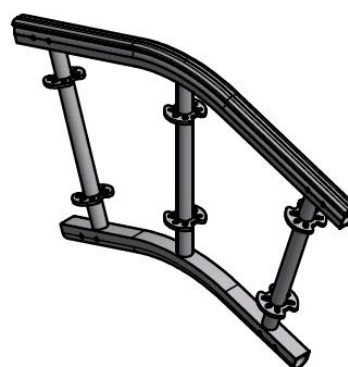
Article Nr.	Dimensions (m)	Weight (kg)
OCS-01115	1,15	10,9
OCS-01200	2,00	18,6
OCS-01400	4,00	37,2
OCS-01600	6,00	55,8



ALUMINIUM TOP GIRDER DB750

Mounted at the top of the roof, top girder forms a roof slope of 18° to ensure roof strength and allow any precipitation to easily flow down the roof.

Article Nr.	Dimensions (m)	Weight (kg)
OCS-01005	0,97x0,75	11,8



ALUMINIUM EAVES GIRDER DB750

An element mounted at the roof ends.

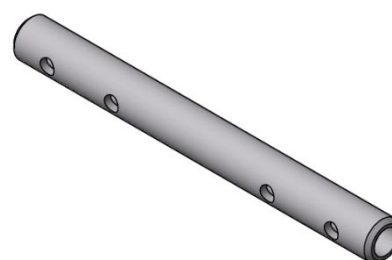
Article Nr.	Dimensions (m)	Weight (kg)
OCS-01006	0,85x0,75	8,7



GIRDER CONNECTOR DB750

Made of thick-wall aluminium pipe with holes. This elements connects structural parts of the roof with MZ014 connectors

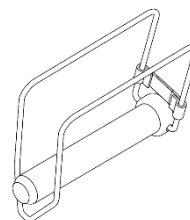
Article Nr.	Dimensions (m)	Weight (kg)
OCS-00001	0,50	1,2



CONNECTOR MZ014

Secures connection between elements of the roof.

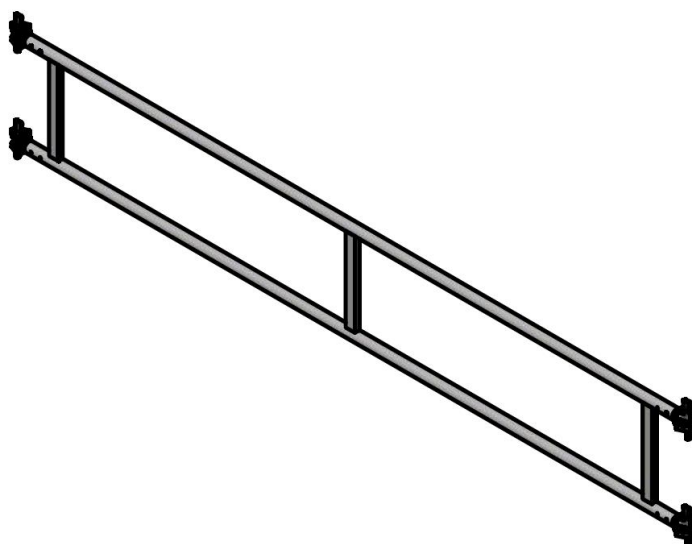
Article Nr.	Dimensions (m)	Weight (kg)
OCS-00005	-	0,1



DOUBLE RAILGUARD DB750

Railguards keep roof girders on a proper span. Aluminium frame is equipped with galvanized steel heads with wedges to easily install on girders. Lengths could be adapted to scaffolding system.

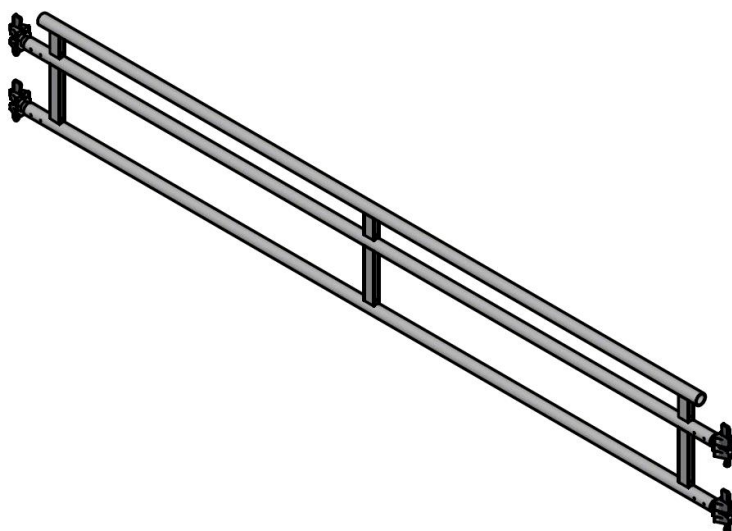
Article Nr.	Dimensions (m)	Weight (kg)
OCS-03125	1,25 x 0,40	5,1
OCS-03157	1,57 x 0,40	5,8
OCS-03165	1,65 x 0,40	5,9
OCS-03196	1,96 x 0,40	6,8
OCS-03207	2,07 x 0,40	7,6
OCS-03250	2,50 x 0,40	7,8
OCS-03257	2,57 x 0,40	7,9
OCS-03300	3,00 x 0,40	8,8
OCS-03305	3,05 x 0,40	8,9
OCS-03307	3,07 x 0,40	8,9



DOUBLE RAILGUARD WITH TOP PIPE DB750

Additional pipe keeps the tension of keder cover, preventing formation of snow or water pockets on top of the roof.

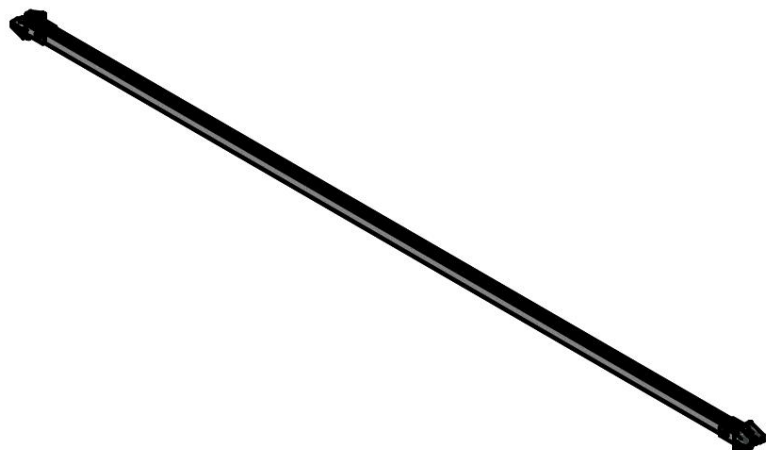
Article Nr.	Dimensions (m)	Weight (kg)
OCS-04125	1,25 x 0,60	6,3
OCS-04157	1,57 x 0,60	7,2
OCS-04165	1,65 x 0,60	7,4
OCS-04196	1,96 x 0,60	8,4
OCS-04207	2,07 x 0,60	9,2
OCS-04250	2,50 x 0,60	9,8
OCS-04257	2,57 x 0,60	10,7
OCS-04300	3,00 x 0,60	11,4
OCS-04305	3,05 x 0,60	12,1
OCS-04307	3,07 x 0,60	12,2



DIAGONAL BRACE

Provides transverse rigidity to the roof structure.

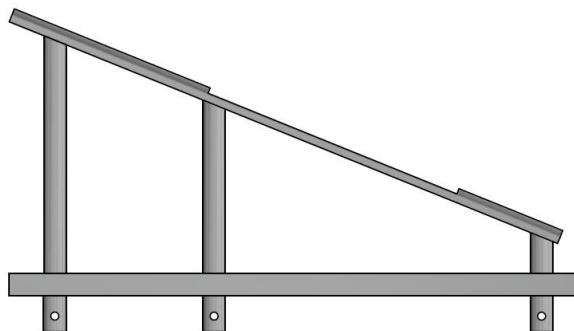
Article Nr.	Dimensions (m)	Weight (kg)
OCS-02125	1,25 x 0,85	3,3
OCS-02157	1,57 x 0,85	3,6
OCS-02165	1,65 x 0,85	3,8
OCS-02196	1,96 x 0,85	4,3
OCS-02207	2,07 x 0,85	4,5
OCS-02250	2,50 x 0,85	4,7
OCS-02257	2,57 x 0,85	4,8
OCS-02300	3,00 x 0,85	5,4
OCS-02305	3,05 x 0,85	5,5
OCS-02307	3,07 x 0,85	5,5



ROOF BRACKET

Is installed on top of scaffolding to hold girders. Several positions of coupling pipes ensure fit to any scaffolding system.

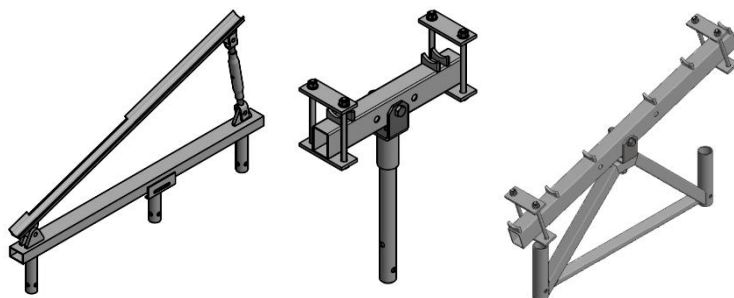
Article Nr.	Deg.	Sizes (m)	Weight (kg)
OCS-00010	18°	0,77 / 1,25	10,4
OCS-00012	18°	0,73 / 1,25	10,4
OCS-00013	18°	0,73 / 1,09	10,4
OCS-00016	18°	0,74 / 1,07	10,4
OCS-00014	22°	0,77 / 1,25	10,4
OCS-00015	22°	0,73 / 1,09	10,4



ADJUSTABLE BRACKET

Useful accessory to create one-slope roof or adjust the roof slopes on uneven terrain.

Article Nr.	Dimensions (m)	Weight (kg)
OCS-06000	-	12,1
OCS-06010	-	
OCS-06012	-	



KEDER TILT COVER

Made of high-strength fabric. Sides are equipped with PCV-rope to insert into the girder profile. In addition to standard white colour, we can produce in other colours as well.

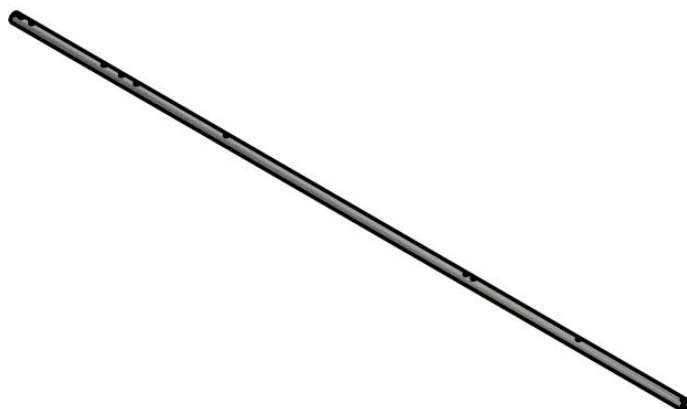


Article Nr.	Dimensions (m)	Weight (kg)
OCS-07XXX	-	-

TILT STRETCHING PIPE

Is used to stretch tilt on the roof

Article Nr.	Dimensions (m)	Weight (kg)
COV-08125	1,25	4,3
COV-08157	1,57	5,5
COV-08165	1,65	5,7
COV-08196	1,96	6,8
COV-08207	2,07	7,5
COV-08250	2,50	8,9
COV-08257	2,57	9,0
COV-08300	3,00	10,7
COV-08305	3,05	10,8
COV-08307	3,07	10,9



PIPE CONNECTOR WITH COUPLER DB750

Used to connect stretching pipe to the girder and keep the ends of tilt securely fixed.

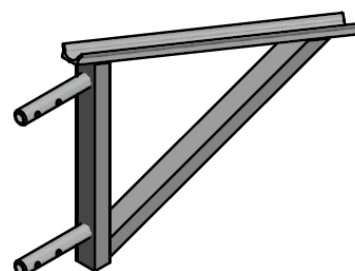
Article Nr.	Dimensions (m)	Weight (kg)
OCS-00004	-	2,2



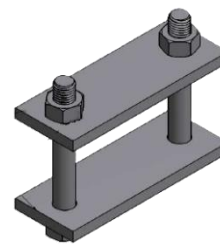
TOP BRACKET 18°

Used to strengthen the roof structure by attaching the additional girder up to top

Article Nr.	Dimensions (m)	Weight (kg)
OCS-00009	-	9,1

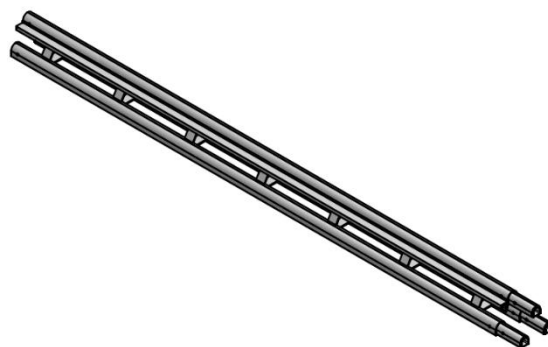


CLAMP SET



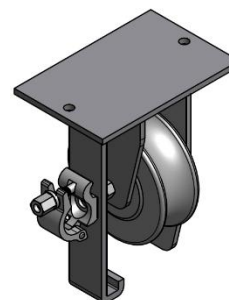
Article Nr.	Dimensions (m)	Weight (kg)
OCS-00021	-	1,1

TRIPLE BEAM MOB



Article Nr.	Dimensions (m)	Weight (kg)
OCS-00020	2,15	20,8
OCS-00030	3,15	30,3

COVERTIBLE ROOF WHEEL



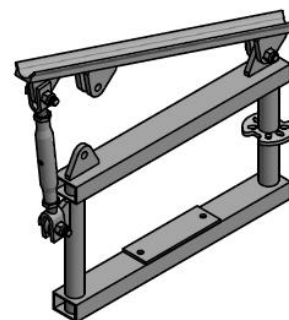
Article Nr.	Dimensions (m)	Weight (kg)
OCS-00031	-	11.9

CONVERTIBLE ROOF FRAME



Article Nr.	Dimensions (m)	Weight (kg)
OCS-00035	0,80 x 0,80	9,5

ADJUSTABLE BRACKET

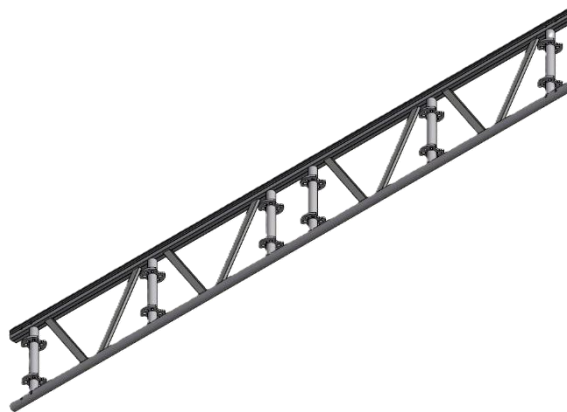


Article Nr.	Dimensions (m)	Weight (kg)
OCS-00040	-	22,5

ALUMINIUM GIRDER DB500

The girders are made of high-strength, special aluminium profiles. Welded mounting plates allow to easily connect braces, railguards and any other supplementary elements.

Article Nr.	Dimensions (m)	Weight (kg)
COV-01115	1,15	7,9
COV-01200	2,00	13,4
COV-01400	4,00	26,8
COV-01600	6,00	40,2



ALUMINIUM TOP GIRDER DB500

Mounted at the top of the roof, top girder forms a roof slope of 22° to ensure roof strength and allow any precipitation to easily flow down the roof.

Article Nr.	Dimensions (m)	Weight (kg)
COV-01005	0,85 x 0,50	9,2



ALUMINIUM EAVES GIRDER DB500

An element mounted at the roof ends.

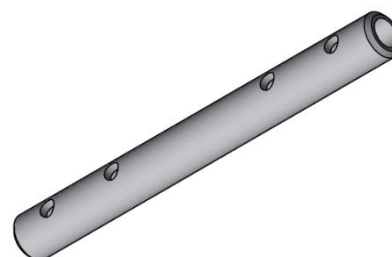
Article Nr.	Dimensions (m)	Weight (kg)
COV-01006	0,85 x 0,50	7,0



PIPE CONNECTOR DB500

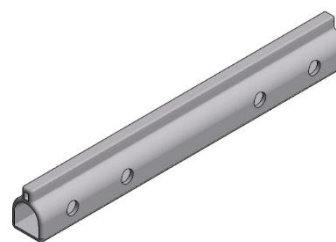
Made of thick-wall aluminium pipe with holes. This elements connects structural parts of the roof with MZ014 connectors

Article Nr.	Dimensions (m)	Weight (kg)
COV-01007	0,50	0,8



PROFILE CONNECTOR DB500

Made of thick-wall aluminium profile with holes. This element connects structural parts of the roof with MZ014 connectors

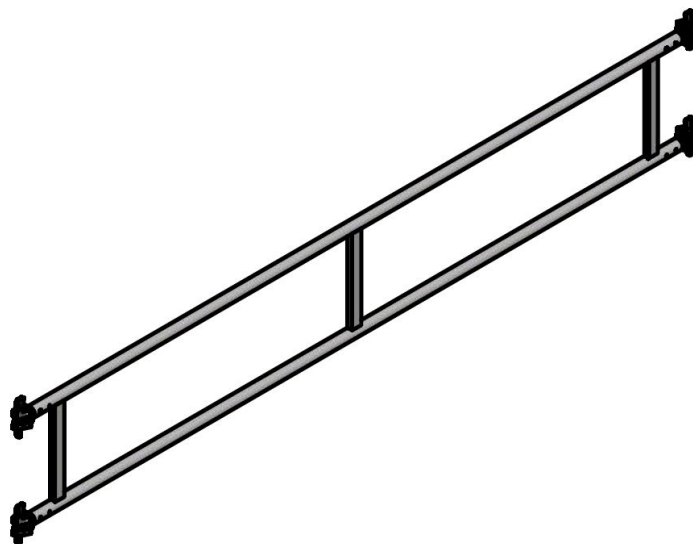


Article Nr.	Dimensions (m)	Weight (kg)
COV-01017	0,50	0,7

DOUBLE RAILGUARD DB500

Railguards keep roof girders on a proper span. Aluminium frame is equipped with galvanized steel heads with wedges to easily install on girders. Lengths could be adapted to scaffolding system.

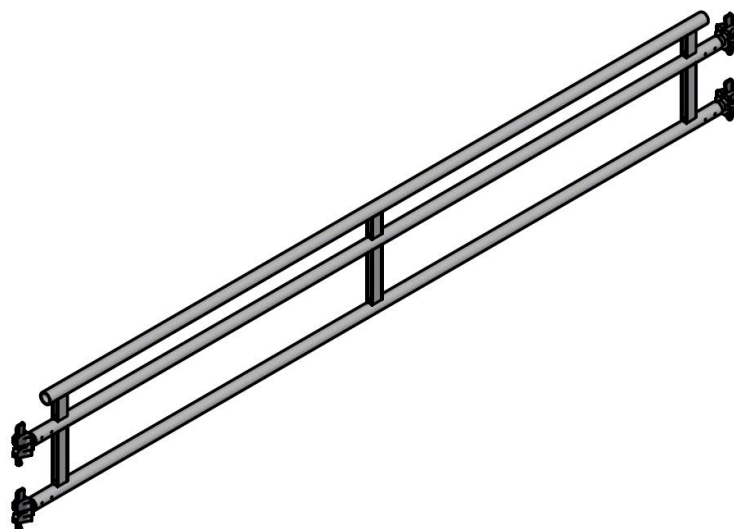
Article Nr.	Dimensions (m)	Weight (kg)
OCS-03125	1,25 x 0,40	5,1
OCS-03157	1,57 x 0,40	5,8
OCS-03165	1,65 x 0,40	5,9
OCS-03196	1,96 x 0,40	6,8
OCS-03207	2,07 x 0,40	7,6
OCS-03250	2,50 x 0,40	7,8
OCS-03257	2,57 x 0,40	7,9
OCS-03300	3,00 x 0,40	8,7
OCS-03305	3,05 x 0,40	8,8
OCS-03307	3,07 x 0,40	8,9



DOUBLE RAILGUARD WITH TOP PIPE DB500

Additional pipe keeps the tension of keder cover, preventing formation of snow or water pockets on top of the roof.

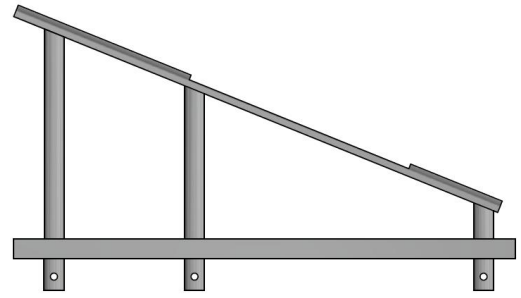
Article Nr.	Dimensions (m)	Weight (kg)
OCS-04125	1,25 x 0,60	6,2
OCS-04157	1,57 x 0,60	7,2
OCS-04165	1,65 x 0,60	7,4
OCS-04196	1,96 x 0,60	8,4
OCS-04207	2,07 x 0,60	9,2
OCS-04250	2,50 x 0,60	9,8
OCS-04257	2,57 x 0,60	10,7
OCS-04300	3,00 x 0,60	11,4
OCS-04305	3,05 x 0,60	11,4
OCS-04307	3,07 x 0,60	11,5



ROOF BRACKET

Roof bracket adjusted for DB500 angle of 22°

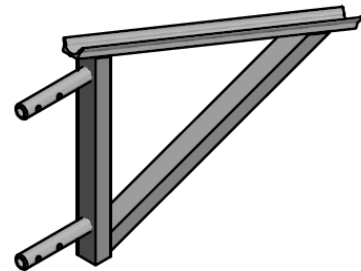
Article Nr.	Deg.	Sizes (m)	Weight (kg)
OCS-00014	22°	0,77 / 1,25	10,4
OCS-00015	22°	0,73 / 1,09	10,4



TOP SUPPORT 22° DB500

Used to strengthen the roof structure by attaching the additional girder up to top.

Article Nr.	Dimensions (m)	Weight (kg)
COV-00009	-	6,0



TILT SIDE PROFILE

Profile is attached to scaffolding using wedge heads or couplers. Used to put tilt on sides of protective structure, creating a portable tent.

Article Nr.	Dimensions (m)	Weight (kg)
COV-09XXX	0,50 – 4,00	-

