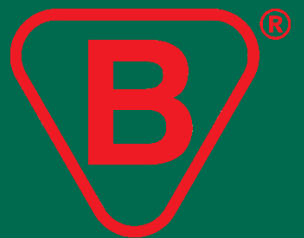
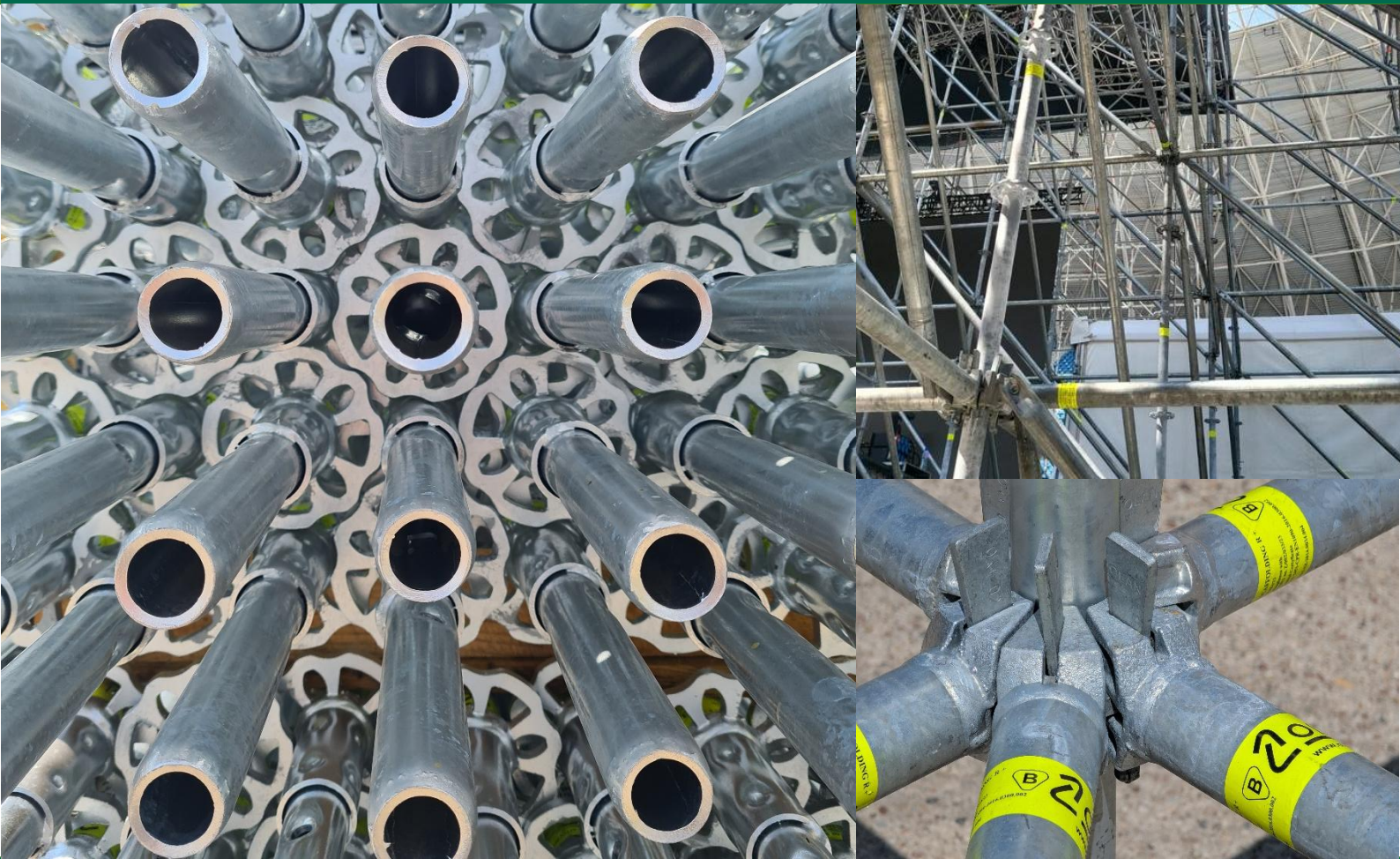




MODULAR SCAFFOLDING R+ 



# OLAN – YOUR RELIABLE SCAFFOLDING SUPPLIER

## 2006

Founded by a synergy of Polish, Lithuanian and Norwegian entrepreneurs, we were focused on providing high quality scaffolding to local and foreign markets right from the beginning

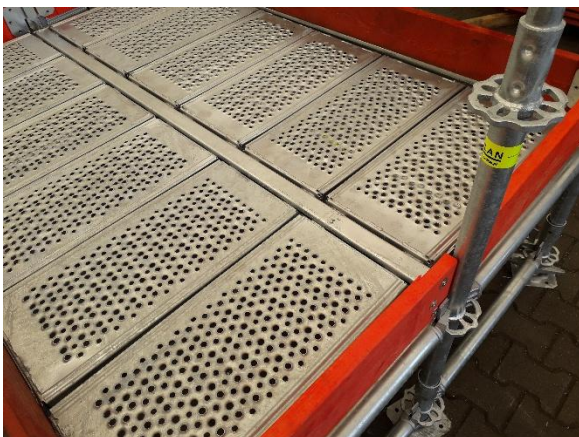
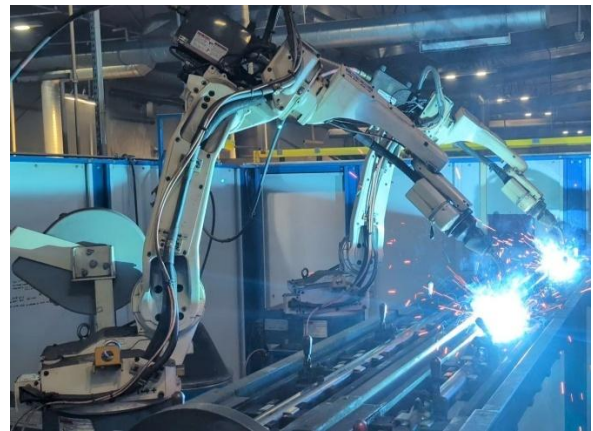


## 2012

OLAN moved to a newly built manufacturing facility in Żabokliki, Siedlce in Poland. Integration of new profiling, welding and assembly technologies allowed us to reach new heights

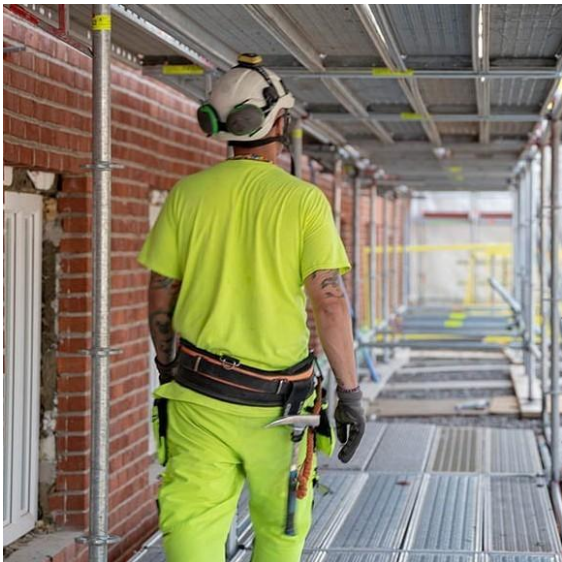
## TODAY

We offer three scaffolding systems that are produced in both steel and aluminium. These are modular scaffolding R+, façade scaffolding EURO+ and Scandinavian type FOX. In addition, we supply temporary roofs, formwork and supporting modular towers, as well as temporary stand systems and masts



# MODULAR SCAFFOLDING R+

Our ringlock-type scaffolding is fully designed and manufactured in-house at OLAN, ensuring complete quality control at every stage. The system has proven to be a reliable and versatile solution for construction, industrial applications, and events. It is certified according to EN-12810 and EN-12811 standards.



To guarantee top performance, we invest heavily in prototyping and testing, using only premium-grade steel materials. Precision manufacturing with CNC technology ensures exact dimensional accuracy, while EN 1090-certified welding provides superior structural integrity.

All components are hot-dip galvanized by our long-term trusted partners, protecting the system from corrosion and environmental wear. The result is a scaffolding system built for maximum durability, safety, and decades of dependable use.



## STEEL STANDARD R+

Basic load-bearing scaffolding component. Made of 48.3 pipe. Fitted with disks installed every 0.5m over the entire length to attach up to 8 connectors, such as transoms and braces.

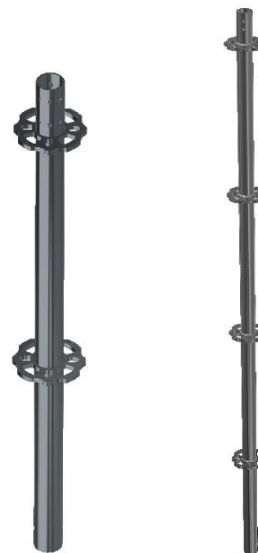
Article Nr.	Dimensions (m)	Weight (kg)
RSR-04050	0,50	3,2
RSR-04100	1,00	5,5
RSR-04150	1,50	7,6
RSR-04200	2,00	9,9
RSR-04250	2,50	13,9
RSR-04300	3,00	14,3
RSR-04400	4,00	18,6



## STEEL STANDARD R+ SPIGOTLESS

Used for suspended scaffolding or event and advertising solutions.

Article Nr.	Dimensions (m)	Weight (kg)
RSR-14050	0,50	2,3
RSR-14067	0,67	3,1
RSR-14100	1,00	4,5
RSR-14150	1,50	6,7
RSR-14200	2,00	8,9
RSR-14250	2,50	11,1
RSR-14300	3,00	13,3
RSR-14400	4,00	17,5



## BASE COLLAR

The base collar with rosette and the height-adjustable base plate form the scaffolding base. The vertical standard is placed into the base collar for further construction.

Article Nr.	Dimensions (m)	Weight (kg)
RSR-03000	0,23	1,4



## SPIGOT

Connects spigotless standards with the use of M12 bolts and nuts



Article Nr.	Dimensions (m)	Weight (kg)
RSR-14000	0,52	1,7

## CLAMPABLE ROSETTE

Used to make an additional node on the standard in any position



Article Nr.	Dimensions (m)	Weight (kg)
RSR-22002		0,9

## TWIN WEDGE COUPLER

A reliable connection of two standards in case you require a stronger scaffolding post



Article Nr.	Dimensions (m)	Weight (kg)
RSR-22001	-	1,3

## BASE JACK

Base jack on 150x150mm foot with threaded pipe and nut.

\*tilted base jack – to put scaffolding on uneven terrain.

Article Nr.	Height (m)	Weight (kg)
RFS-12020	0,23	2,4
RFS-12040	0,40	3,1
RFS-12160	0,60	3,6
RFS-12080	0,80	5,3
RFS-12260*	0,60	3,3



## O-LEDGER

It is made of 48.3mm tube, ended with heads with a wedge. It is mounted in holes of the rosette. It has a stiffening and protecting function. Available in standard dimensions as well as metric.

Article Nr.	Dimensions (m)	Weight (kg)
RSR-02039	0,39	1,9
RSR-02045	0,45	2,1
RSR-02073	0,73	3,2
RSR-02075	0,74	3,2
RSR-02100	1,00	3,9
RSR-02104	1,036	4,0
RSR-02109	1,09	4,2
RSR-02110	1,10	4,3
RSR-02140	1,40	5,0
RSR-02150	1,50	5,5
RSR-02157	1,57	5,6
RSR-02200	2,00	6,7
RSR-02207	2,07	6,8
RSR-02250	2,50	8,5
RSR-02257	2,57	8,7
RSR-02300	3,00	10,0
RSR-02307	3,07	10,1



## REINFORCED O-LEDGER

It is used for building wide working platforms

Article Nr.	Dimensions (m)	Weight (kg)
RSR-01140	1,40	9,4
RSR-01150	1,50	10,5
RSR-01157	1,57	10,6
RSR-01200	2,00	13,6
RSR-01207	2,07	14,0
RSR-01250	2,50	15,6
RSR-01257	2,57	15,9
RSR-01300	3,00	18,7
RSR-01307	3,07	18,9



## U-LEDGER

Used to mount u-type platforms

\*reinforced version

Article Nr.	Dimensions (m)	Weight (kg)
RSR-03039	0,39	
RSR-03045	0,45	2,0
RSR-03073	0,73	3,1
RSR-03108	1,09	4,2
*RSR-03109	1,09	5,8
*RSR-03125	1,25	7,0

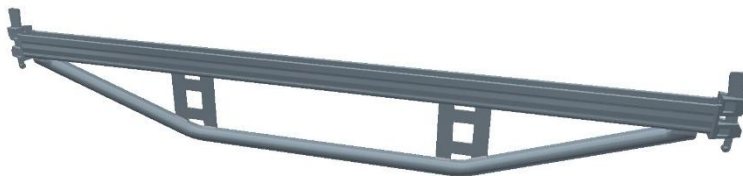


## REINFORCED U-LEDGER

U-transom with an additional reinforcement.

Used to mount u-type platforms

Article Nr.	Dimensions (m)	Weight (kg)
RSR-03140	1,40	8,4
RSR-03150	1,50	8,6
RSR-03157	1,57	8,7
RSR-03200	2,00	12,2
RSR-03207	2,07	12,3
RSR-03250	2,50	15,8
RSR-03257	2,57	15,9
RSR-03300	3,00	18,8
RSR-03307	3,07	18,9



## HORIZONTAL DIAGONAL

Stiffens the structure horizontally. Is necessary for towers.

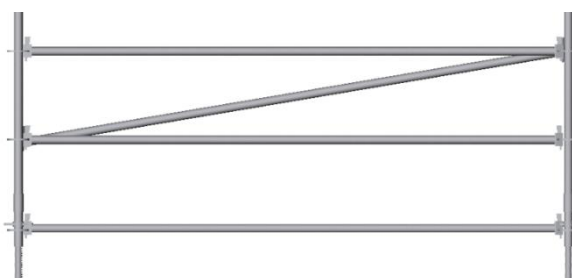
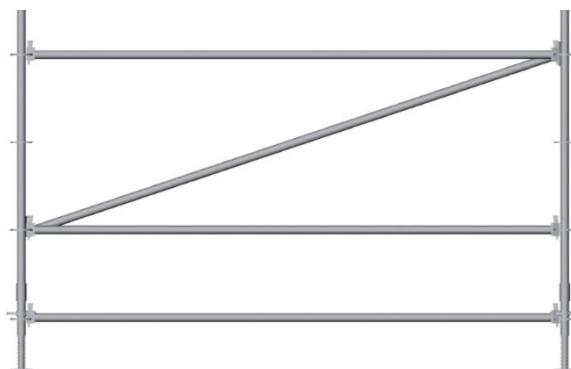
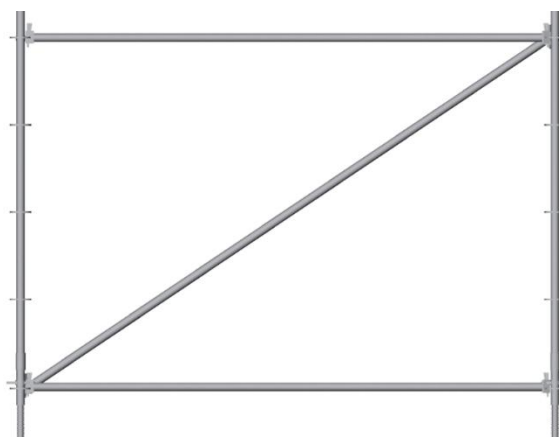
Article Nr.	Dimensions (m)	Weight (kg)
RSR-02146	1,04 x 1,04	5,8
RSR-02223	2,00 x 1,00	7,8
RSR-02232	2,07 x 1,04	8,2
RSR-02277	2,57 x 1,04	9,4
RSR-02283	2,00 x 2,00	10,4
RSR-02293	2,07 x 2,07	10,5
RSR-02330	2,57 x 2,07	11,2
RSR-02353	2,50 x 2,50	11,9
RSR-02363	2,57 x 2,57	12,0
RSR-02370	3,07 x 2,07	12,3
RSR-02434	3,07 x 3,07	14,2



## VERTICAL DIAGONAL

A standard element for scaffolding stiffness. Easily mounted on rosette from internal or external field position.

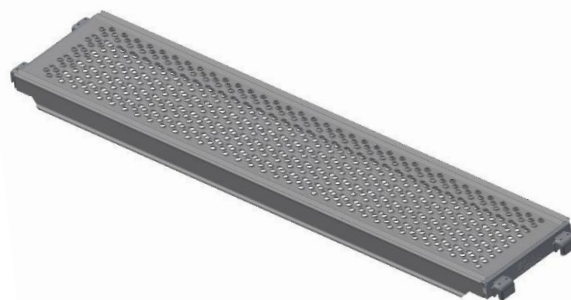
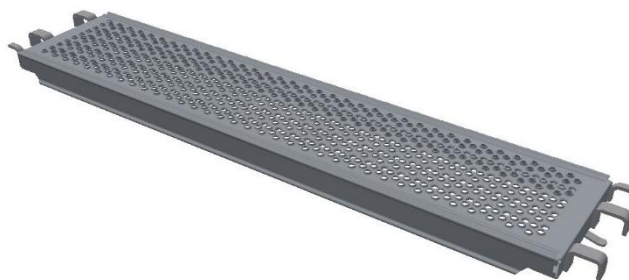
Article Nr.	Dimensions (m)	Weight (kg)
RSR-05073	0,73 x 2,00	6,5
RSR-05100	1,00 x 2,00	6,7
RSR-05104	1,04 x 2,00	6,8
RSR-05109	1,09 x 2,00	6,8
RSR-05140	1,40 x 2,00	8,8
RSR-05157	1,57 x 2,00	9,1
RSR-05200	2,00 x 2,00	9,8
RSR-05207	2,07 x 2,00	10,1
RSR-05250	2,50 x 2,00	11,0
RSR-05257	2,57 x 2,00	11,2
RSR-05300	3,00 x 2,00	12,2
RSR-05307	3,07 x 2,00	12,4
RSR-06073	0,73 x 1,00	5,1
RSR-06100	1,00 x 1,00	5,6
RSR-06104	1,04 x 1,00	5,7
RSR-06109	1,09 x 1,00	5,8
RSR-06140	1,40 x 1,00	6,5
RSR-06157	1,57 x 1,00	6,9
RSR-06200	2,00 x 1,00	8,1
RSR-06207	2,07 x 1,00	8,2
RSR-06250	2,50 x 1,00	9,5
RSR-06257	2,57 x 1,00	9,6
RSR-06300	3,00 x 1,00	10,7
RSR-06307	3,07 x 1,00	10,9
RSR-07100	1,00 x 1,50	6,7
RSR-07104	1,04 x 1,50	6,9
RSR-07109	1,09 x 1,50	7,0
RSR-07140	1,40 x 1,50	7,8
RSR-07157	1,57 x 1,50	8,1
RSR-07200	2,00 x 1,50	8,9
RSR-07207	2,07 x 1,50	9,0
RSR-07250	2,50 x 1,50	10,2
RSR-07257	2,57 x 1,50	10,3
RSR-07300	3,00 x 1,50	11,3
RSR-07307	3,07 x 1,50	11,4
RSR-08200	2,00 x 0,50	7,6
RSR-08207	2,07 x 0,50	7,7
RSR-08250	2,50 x 0,50	9,0
RSR-08257	2,57 x 0,50	9,1
RSR-08300	3,00 x 0,50	10,5
RSR-08307	3,07 x 0,50	10,6



## STEEL DECK 0,32 WITH HANDLEBARS

Hot dip galvanized perforated profile with hooks for installation on u-profile. Planks have welded handlebars for easier handling and installation.

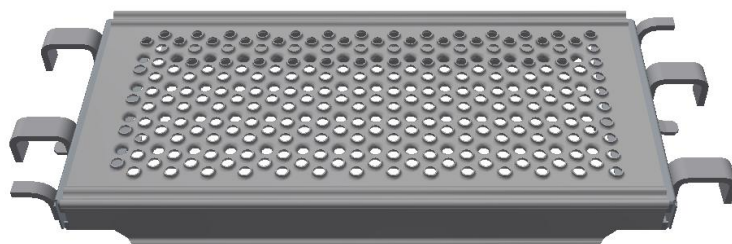
Article Nr.	Type	Dimensions (m)	Weight (kg)
RSR-32157	O	1,57 x 0,32	11,3
RSR-32200	O	2,00 x 0,32	13,6
RSR-32207	O	2,07 x 0,32	13,7
RSR-32250	O	2,50 x 0,32	16,6
RSR-32257	O	2,57 x 0,32	16,7
RSR-32300	O	3,00 x 0,32	19,6
RSR-32307	O	3,07 x 0,32	19,7
RFS-85157	U	1,57 x 0,32	10,8
RFS-85200	U	2,00 x 0,32	13,6
RFS-85207	U	2,07 x 0,32	13,7
RFS-85250	U	2,50 x 0,32	16,0
RFS-85257	U	2,57 x 0,32	16,1
RFS-85300	U	3,00 x 0,32	18,8
RFS-85307	U	3,07 x 0,32	18,9



## STEEL DECK 0,32

Steel plank without handlebars.

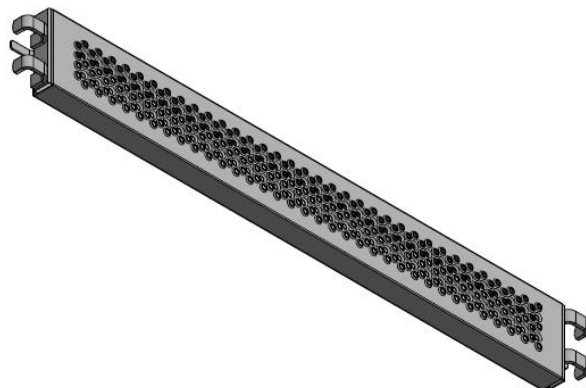
Article Nr.	Type	Dimensions (m)	Weight (kg)
RSR-32073	O	0,73 x 0,32	5,9
RSR-32100	O	1,00 x 0,32	7,8
RSR-32104	O	1,04 x 0,32	7,9
RSR-32109	O	1,09 x 0,32	8,0
RSR-32110	O	1,10 x 0,32	8,1
RSR-32140	O	1,40 x 0,32	9,7
RSR-32150	O	1,57 x 0,32	10,6
RFS-84073	U	0,73 x 0,32	5,4
RFS-84100	U	1,00 x 0,32	7,3
RFS-84109	U	1,09 x 0,32	7,5
RFS-84140	U	1,40 x 0,32	9,3
RFS-84157	U	1,57 x 0,32	10,1



## INTERMEDIATE STEEL DECK 0,19

A narrow deck to fill in the gaps on consoles or scaffolding fields

Article Nr.	Type	Dimensions (m)	Weight (kg)
RSR-19073	O	0,73 x 0,19	4,6
RSR-19109	O	1,09 x 0,19	6,0
RSR-19140	O	1,40 x 0,19	7,2
RSR-19157	O	1,57 x 0,19	7,7
RSR-19207	O	2,07 x 0,19	9,5
RSR-19257	O	2,57 x 0,19	11,3
RSR-19307	O	3,07 x 0,19	13,2
RFS-19073	U	0,73 x 0,19	4,2
RFS-19109	U	1,09 x 0,19	5,6
RFS-19140	U	1,40 x 0,19	6,8
RFS-19157	U	1,57 x 0,19	7,4
RFS-19207	U	2,07 x 0,19	6,1
RFS-19257	U	2,57 x 0,19	11,0
RFS-19307	U	3,07 x 0,19	12,8



## TRIANGULAR STEEL DECK

A more reliable and safer solution for scaffolding corners than wooden planks

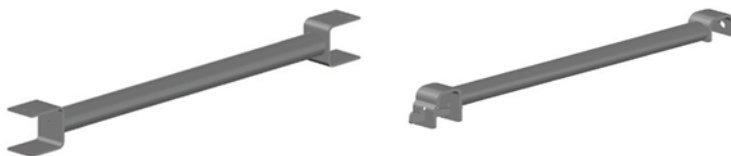
Article Nr.	Type	Dimensions (m)	Weight (kg)
RFS-84001	U	0,73 x 0,73	5,6
RFS-84010	U	1,09 x 1,09	13,4
RSR-84001	O	0,73 x 0,32	13,9



## OVERLAP O-LEDGER

O-ledger overlap to construct accesses, openings or conversions

Article Nr.	Type & Dimensions (m)	Weight (kg)
RSR-16065	deck – deck 0,64	4,0
RSR-16073	ledger – ledger 0,73	4,1
RSR-16096	deck – deck 0,96	4,5
RSR-16109	ledger – ledger 1,09	5,0



## OVERLAP U-LEDGER

U-ledger overlap to construct accesses, openings or conversions

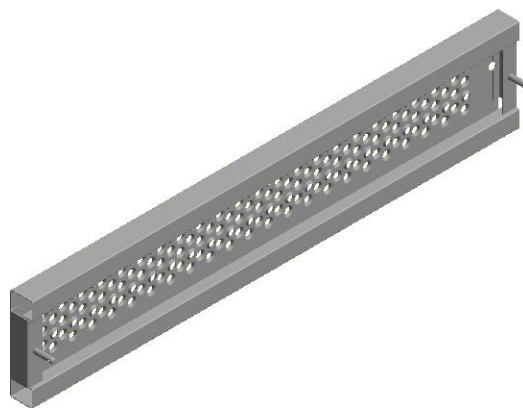
Article Nr.	Type & Dimensions (m)	Weight (kg)
RSR-15032	deck - deck 0,32	2,7
RSR-15064	deck - deck 0,64	3,7
RSR-16064	deck - ledger 0,64	3,7
RSR-16074	ledger - ledger 0,73	3,9
RSR-16111	u-ledger - post 1,09	5,3
RSR-16209	u-ledger - u-ledger 2,07	8,1
RSR-16309	u-ledger - u-ledger 3,07	11,3



## STEEL GAP DECK

Non-slip and non-flammable bridging element that is a lighter and safer alternative to wooden planks

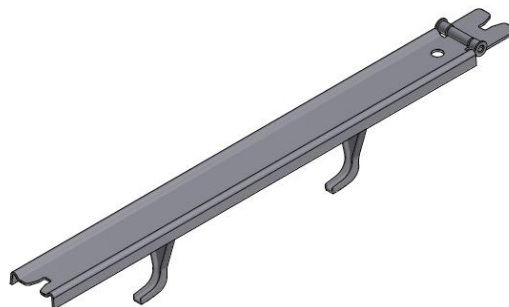
Article Nr.	Dimensions (m)	Weight (kg)
RFS-30100L	1,00 x 0,30	6,5
RFS-30150L	1,50 x 0,30	9,3
RFS-30200L	2,00 x 0,30	12,2
RFS-30250L	2,50 x 0,30	15,0
RFS-30300L	3,00 x 0,30	17,7
RFS-19100L	1,00 x 0,19	4,8
RFS-19150L	1,50 x 0,19	7,0
RFS-19200L	2,00 x 0,19	9,2
RFS-19250L	2,50 x 0,19	11,5
RFS-19300L	3,00 x 0,19	14,0



## U-DECK LIFT-OFF PROTECTION

Universal solution to fix u-decks on ledgers and prevent deck lift-off

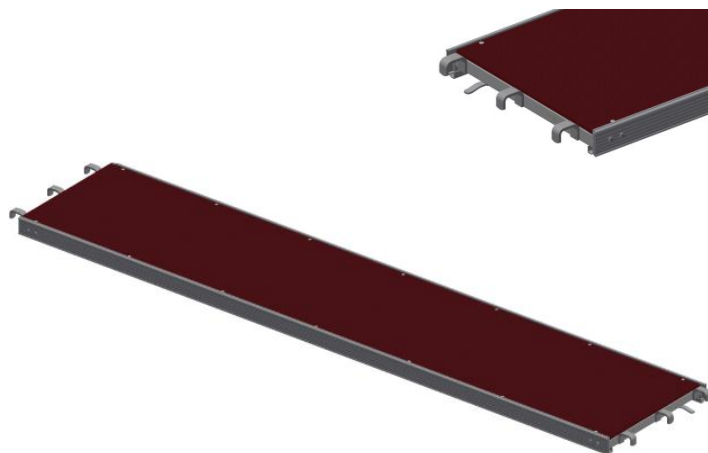
Article Nr.	Dimensions (m)	Weight (kg)
RSR-09036	0,36	0,8
RSR-09073	0,73	1,4
RSR-09109	1,09	2,1
RSR-09140	1,40	2,8
RSR-09157	1,57	3,1
RSR-09207	2,07	4,2
RSR-09257	2,57	5,1
RSR-09307	3,07	6,0



## ALUMINIUM DECK 0,61

Frame of the deck is made of aluminium profile. The surface could be produced of non-slip plywood. One aluminium deck substitutes two 0,32 decks

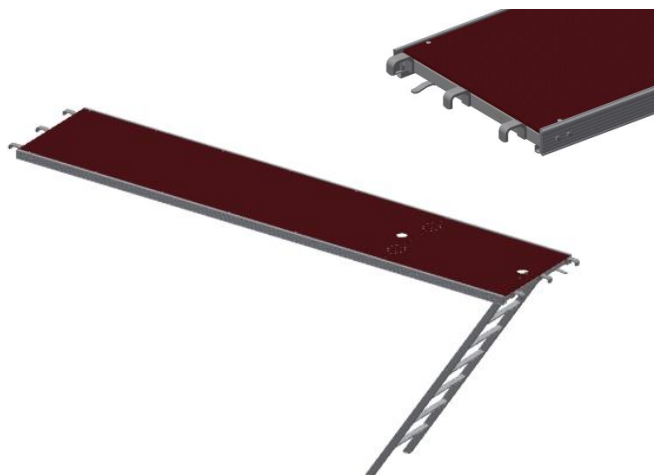
Article Nr.	Type	Dimensions (m)	Weight (kg)
RSR-61109N	O	1,09 x 0,61	8,8
RSR-61150N	O	1,50 X 0,61	11,8
RSR-61157N	O	1,57 x 0,61	12,0
RSR-61200N	O	2,00 x 0,61	16,8
RSR-61207N	O	2,07 x 0,61	17,0
RSR-61250N	O	2,50 x 0,61	19,3
RSR-61257N	O	2,57 x 0,61	19,5
RSR-61307N	O	3,07 x 0,61	23,0
RFA-61073N	U	0,73 x 0,61	6,3
RFA-61104N	U	1,04 x 0,61	8,6
RFA-61109N	U	1,09 x 0,61	8,8
RFA-61140N	U	1,40 X 0,61	11,0
RFA-61157N	U	1,57 x 0,61	12,0
RFA-61200N	U	2,00 x 0,61	16,8
RFA-61207N	U	2,07 x 0,61	17,0
RFA-61250N	U	2,50 x 0,61	19,3
RFA-61257N	U	2,57 x 0,61	19,5
RFA-61307N	U	3,07 x 0,61	23,0



## ALUMINIUM ACCESS DECK 0,61 WITH LADDER

Aluminium deck with access ladder for floor communication. Surface produced of non-slip plywood panel.

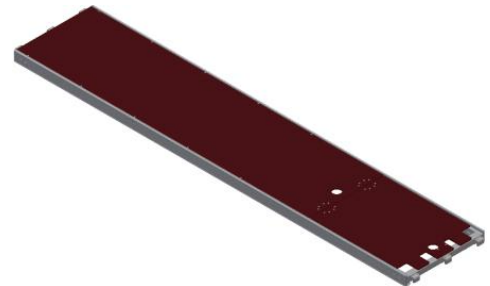
Article Nr.	Type	Dimensions (m)	Weight (kg)
RSR-61257N	O	2,57 x 0,61	26,5
RSR-61307N	O	3,07 x 0,61	29,5
RFA-61257N	U	2,57 x 0,61	26,5
RFA-61307N	U	3,07 x 0,61	29,5



## ALUMINIUM ACCESS DECK 0,61 WITHOUT LADDER

Aluminium access deck without ladder for floor communication. Require an additional ladder (see RFS-01021 or RFA-01021). Surface is produced of non-slip plywood panel.

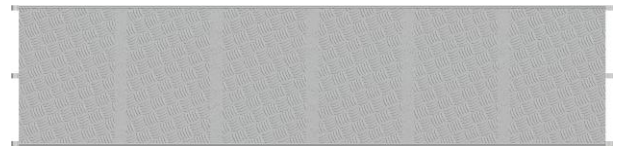
Article Nr.	Type	Dimensions (m)	Weight (kg)
RSR-62109N	O	1,09 x 0,61	17,0
RSR-62157N	O	1,57 x 0,61	17,3
RSR-62200N	O	2,00 x 0,61	20,0
RSR-62207N	O	2,07 x 0,61	20,3
RSR-62250N	O	2,50 x 0,61	23,0
RSR-62257N	O	2,57 x 0,61	23,3
RSR-62300N	O	3,00 x 0,61	26,0
RSR-62307N	O	3,07 x 0,61	26,3
RFA-62157N	U	1,57 x 0,61	17,1
RFA-62200N	U	2,00 x 0,61	19,9
RFA-62207N	U	2,07 x 0,61	20,1
RFA-62250N	U	2,50 x 0,61	22,8
RFA-62257N	U	2,57 x 0,61	23,1
RFA-62300N	U	3,00 x 0,61	25,8
RFA-62307N	U	3,07 x 0,61	26,1



## ALUMINIUM DECK 0,61

Aluminium frame deck with grooved aluminium floor.

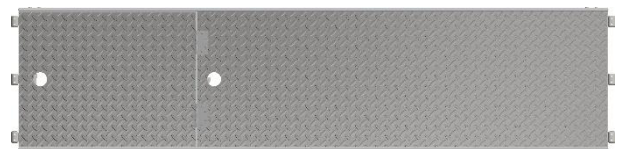
Article Nr.	Type	Dimensions (m)	Weight (kg)
RSR-71207LN	O	2,07 x 0,61	15,0
RSR-71257LN	O	2,57 x 0,61	18,0
RSR-71307LN	O	3,07 x 0,61	21,0
RFA-71207LN	U	2,07 x 0,61	14,5
RFA-71257LN	U	2,57 x 0,61	17,5
RFA-71307LN	U	3,07 x 0,61	20,5



## ALUMINIUM ACCESS DECK 0,61

Aluminium frame access deck with grooved aluminium floor.

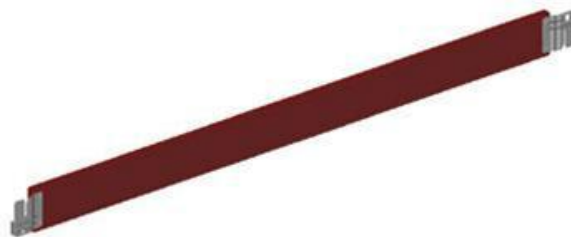
Article Nr.	Type	Dimensions (m)	Weight (kg)
RFA-70257LN	U	2,57 x 0,61	28,0
RFA-70307LN	U	3,07 x 0,61	33,0
RSR-70257LN	O	2,57 x 0,61	28,5
RSR-70307LN	O	3,07 x 0,61	33,5



## TOE BOARD

Wooden toe board impregnated with paint and finished with steel hooks. Mounted at the height of the platform. Used to secure platforms. Upon request clout can be customized.

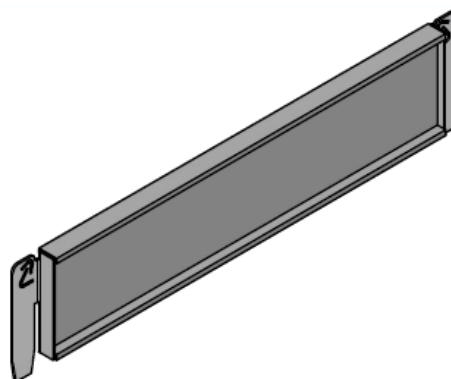
Article Nr.	Dimensions (m)	Weight (kg)
RSR-20073	0,73	1,8
RSR-20109	1,09	2,7
RSR-20140	1,40	3,7
RSR-20157	1,57	4,2
RSR-20207	2,07	5,4
RSR-20257	2,57	6,7
RSR-20307	3,07	7,8



## ALUMINIUM TOE BOARD

Fire resistant toe board made of aluminium profile.

Article Nr.	Dimensions (m)	Weight (kg)
RAR-20073	0,73	1,2
RAR-20109	1,09	1,6
RAR-20140	1,40	1,8
RAR-20157	1,57	1,9
RAR-20207	2,07	2,5
RAR-20257	2,57	3,0
RAR-20307	3,07	3,5



## TOE BOARD COUPLER

Used for additional connection to put toe board.

Article Nr.	Type	Weight (kg)
ZNN-07110	standard	0,9
ZNN-07111	with wedge	0,9



## U-LATTICE BEAM WITH WEDGE HEADS

Beam with u-profile and wedge heads to attach to the standards. U-decks can be put on top of it.

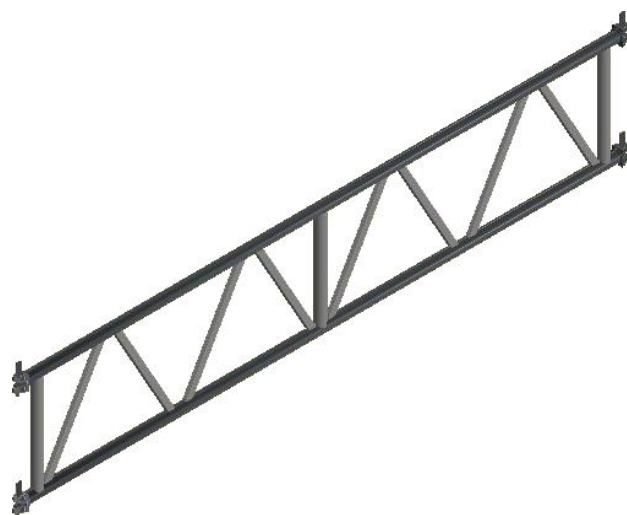
Article Nr.	Dimensions (m)	Weight (kg)
RSR-50200	2,00	25,8
RSR-50207	2,07	25,9
RSR-50250	2,50	31,3
RSR-50257	2,57	31,5
RSR-50307	3,07	34,2
RSR-50414	4,14	46,8
RSR-50514	5,14	55,5
RSR-50614	6,14	65,4



## O-LATTICE BEAM WITH WEDGE HEADS

Beam with pipe and wedge heads to attach to the standards. O-decks are utilized to create a platforms.

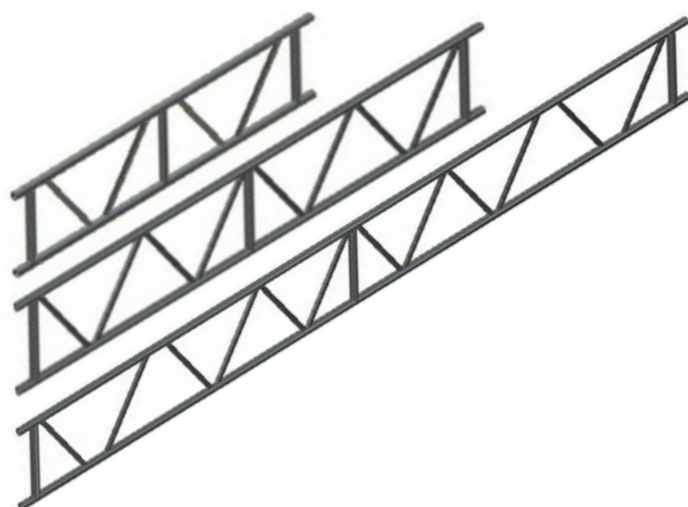
Article Nr.	Dimensions (m)	Weight (kg)
RSR-51200	2,00	25,2
RSR-51207	2,07	25,4
RSR-51250	2,50	30,3
RSR-51257	2,57	30,4
RSR-51307	3,07	33,7
RSR-51414	4,14	47,3
RSR-51514	5,14	54,4
RSR-51614	6,14	65,0



## STEEL LATTICE BEAM

Beams are used to make hanging platforms or a passage under scaffolding structure.

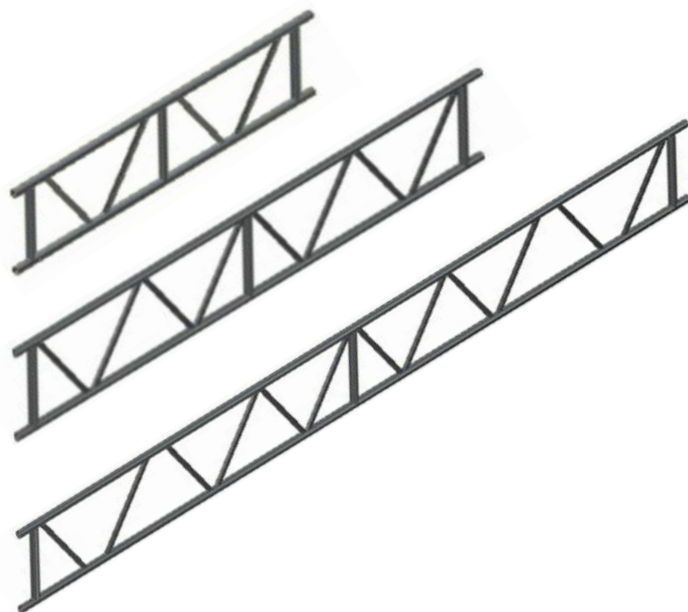
Article Nr.	Dimensions (m)	Weight (kg)
RFS-05324	3,24 x 0,50	35,5
RFS-05424	4,24 x 0,50	45,5
RFS-05524	5,24 x 0,50	54,5
RFS-05624	6,24 x 0,50	64,0



## ALUMINIUM LATTICE BEAM

A lighter alternative to steel beams. Faster to handle, assemble and disassemble

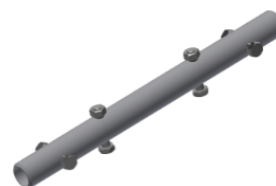
Article Nr.	Dimensions (m)	Weight (kg)
RFA-04300	3,00 x 0,40	15,7
RFA-04400	4,00 x 0,40	18,0
RFA-04524	5,24 x 0,40	20,9
RFA-04600	6,00 x 0,40	24,7
RFA-04624	6,24 x 0,40	25,1
RFA-04800	8,00 x 0,40	33,2
RFA-04824	8,24 x 0,40	34,0
RFA-05324	3,24 x 0,50	14,2
RFA-05424	4,24 x 0,50	18,8
RFA-05524	5,24 x 0,50	22,6
RFA-05624	6,24 x 0,50	26,4
RFA-05824	8,24 x 0,50	34,4



## LATTICE BEAM CONNECTOR

Used with aluminium lattice beams. Allows to connect beams of various lengths

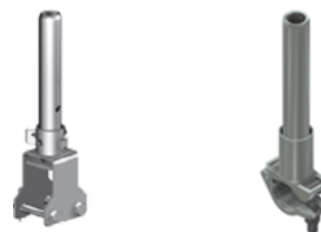
Article Nr.	Dimensions (m)	Weight (kg)
RFA-05001	0,4	2,1



## SPIGOT FOR LATTICE BEAM

Spigot is mounted on top of the lattice beam or ledger for the additional bays or adjustment of the current ones

Article Nr.	Type	Weight (kg)
RSR-50000	U	1,8
RSR-50001	O	1,6



## DECK TRAVERSE FOR LATTICE BEAM

Used to put on top of lattice beams to put decks on top.

Article Nr.	Dimensions (m)	Weight (kg)
RFA-21064	0,64	2,7
RFA-21090	0,90	3,3
RFA-21160	1,60	5,2
RFA-21192	1,92	5,8
RFA-21300	3,00	8,5
RFA-21400	4,00	10,2
RFA-21500	5,00	12,7
RFA-21600	6,00	15,2



## ACCESS LADDER

Ladder with perforated steps.

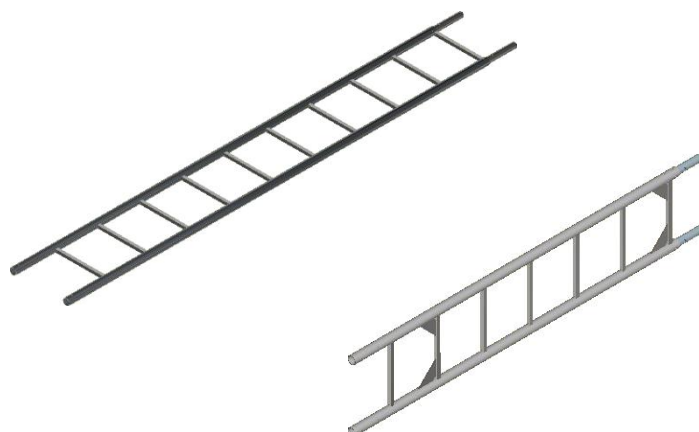
\*aluminium version

Article Nr.	Dimensions (m)	Weight (kg)
RFS-01021	2,15	10,6
RFS-01031	3,0	12,3
RFS-01041	4,0	12,5
RFA-01021*	2,15	3,8



## TUBE LADDER 0,4 M

Article Nr.	Dimensions (m)	Weight (kg)
RSR-38200	2,00	15,2
RAR-38200*	2,00	6,0
RSR-38300	3,00	23,5
RAR-38300*	3,00	10,0



## INITIAL STAIRWAY

Provides convenient access to the lower level of scaffolding or a communication between two structures with various heights.

\*Steps are made of perforated sheet

Article Nr.	Type	Dimensions (m)	Weight (kg)
RAR-30100N*	O	1,00 x 0,64	14,2
RAR-35100N	O	1,00 x 0,64	14,3
RFA-30100N*	U	1,00 x 0,64	14,1
RFA-35100N	U	1,00 x 0,64	14,2



## ALUMINIUM STAIRWAY

Convenient access to the scaffolding and material transportation.

\*Steps made of perforated sheet

Article Nr.	Type	Dimensions (m)	Weight (kg)
RSR-35257N	O	2,57 x 2,00	23,2
RSR-35307N	O	3,07 x 2,00	27,2
RSR-30257N*	O	2,57 x 2,00	23,2
RSR-30307N*	O	3,07 x 2,00	27,2
RSR-15710N	O	1,57 x 1,00	16,2
RFA-35257N	U	2,57 x 2,00	23,0
RFA-35307N	U	3,07 x 2,00	27,0
RFA-30257N*	U	2,57 x 2,00	23,0
RFA-30307N*	U	3,07 x 2,00	27,0
RFA-15710N	U	1,57 x 1,00	16,0



## STAIRWAY GUARDRAIL

Ensures safety on the stairways.

G – a version with wedge head

Article Nr.	Dimensions (m)	Weight (kg)
RSR-31257	2,57 x 2,00	19,5
RSR-31257G	2,57 x 2,00	19,3
RSR-31307	3,07 x 2,00	21,0
RSR-31307G	3,07 x 2,00	20,7



## INTERNAL STAIRWAY GUARDRAIL

Ensures safety on the internal side of stairway.

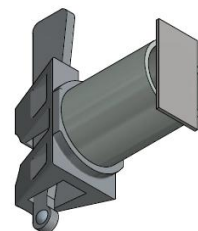
Article Nr.	Dimensions (m)	Weight (kg)
RFS-32001	-	12,0



## STAIRWAY GUARDRAIL ADAPTER

Is mounted on rosette to attach a stairway guardrail.

Article Nr.	Dimensions (m)	Weight (kg)
RSR-22000	-	0,9



## CONSOLE BRACKET WITH SPIGOT

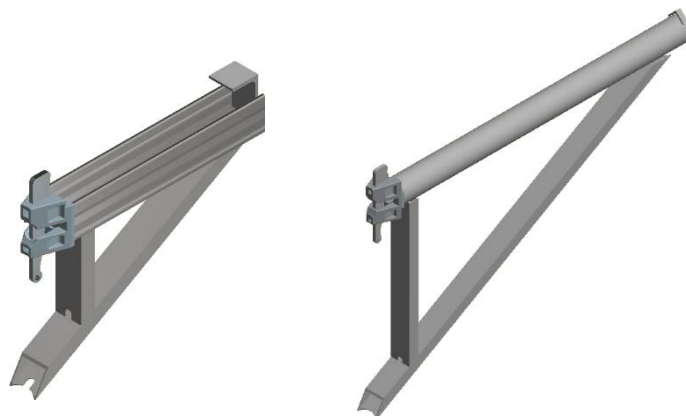
Used for quick expansion the scaffolding field.  
Mounted with the help of a head with a wedge in the R  
+ stand.

Article Nr.	Type	Dimensions (m)	Weight (kg)
RSR-12039	U	0,39	3,5
RSR-12073	U	0,73	6,8
RSR-12109	U	1,09	10,5
RSR-13039	O	0,39	3,8
RSR-13073	O	0,73	6,8
RSR-13109	O	1,09	13,5



## CONSOLE BRACKET WITHOUT SPIGOT

Article Nr.	Type	Dimensions (m)	Weight (kg)
RSR-12039P	U	0,39	4,0
RSR-12073P	U	0,73	7,0
RSR-12109P	U	1,09	13,7
RSR-13039P	O	0,39	3,8
RSR-13073P	O	0,73	6,8
RSR-13109P	O	1,09	13,5



## CONSOLE BRACKET WITH 2 WEDGE HEADS

Article Nr.	Type	Dimensions (m)	Weight (kg)
RSR-12045G	U	0,45	4,1
RSR-12073G	U	0,73	5,0
RSR-13039G	O	0,39	3,6
RSR-13045G	O	0,45	4,1
RSR-13073G	O	0,73	6,0



## WALL TIE

Ensures safe anchoring of scaffolding structure to the walls.

Article Nr.	Dimensions (m)	Weight (kg)
RFS-17040	0,40	1,7
RFS-17050	0,50	2,0
RFS-17085	0,85	3,1
RFS-17110	1,10	4,8
RFS-17130	1,30	4,9



## EYE BOLT

Is screwed into the wall to attach wall tie to.

Article Nr.	Dimensions (m)	Weight (kg)
ZSR-0120	0,12	0,1
ZSR-00300	0,30	0,3



## SECURITY PIN

Standard element to be used to connect two standards to each other.

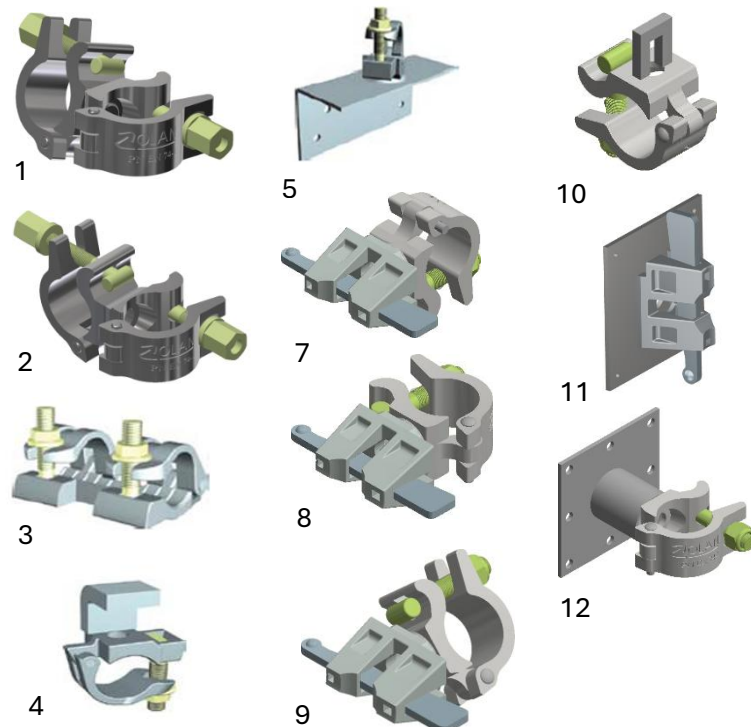
Article Nr.	Dimensions (m)	Weight (kg)
RFS-00011	-	0,1



## COUPLERS

We provide a wide range of couplers for any need there could be on a scaffolding site.

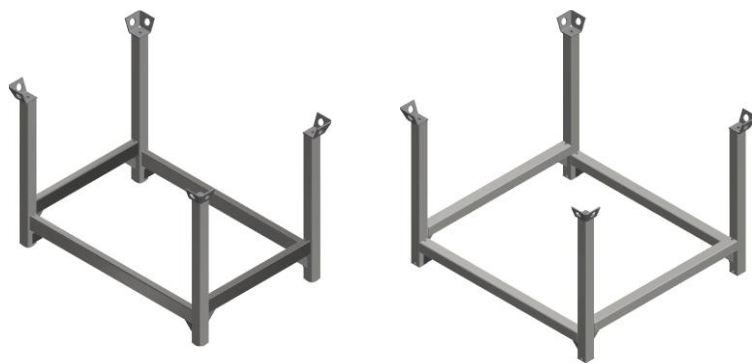
	Article Nr.	Type	Weight (kg)
1	ZNN-ZB01CH	Swivel	1,0
2	ZNN-ZB02CH	Rigid	0,8
3	ZNN-07049	Sleeve	1,5
4	ZNN-07030	Hook	1,0
5	ZNN-07200	Angle bracket	1,7
6	RSR-22001	Distance	1,8
7	RSR-22003	Hor. wedge	2,0
8	RSR-22003V	Vertical wedge	2,0
9	RSR-22003S	Swivel wedge	2,1
10	RSR-22004	Wedge connector	0,9
11	RSR-22052	Wall-console	1,0
12	RSR-22053	Wall-coupler	1,2



## MODULAR PALETTE

Used for easy transportation and storage of scaffolding elements.

Article Nr.	Dimensions (m)	Weight (kg)
RFS-61280	1,20 x 0,80	31,4
RFS-61290	1,20 x 0,90	31,9
RFS-61211	1,20 x 1,10	33,5



## MODULAR BOX

An effective solution to store small elements like base jacks or couplers.

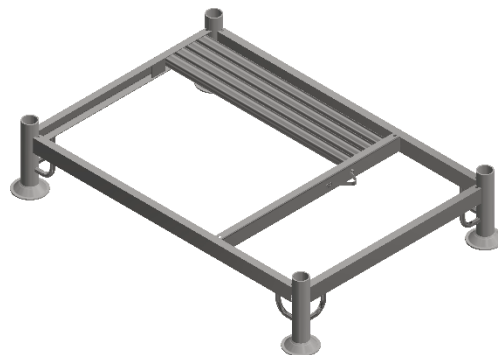
Article Nr.	Dimensions (m)	Weight (kg)
RFS-61281A	1,20 x 0,80	58,5
RFS-61281B	1,20 x 0,80	60,0



## TUBE PALETTE

Compact and robust pallet. Easy to store in case pallet is not in use.

Article Nr.	Dimensions (m)	Weight (kg)
RFS-61285	1,25 x 0,85	35,5



## MODULAR PROFILE PALETTE

Storage solution for scaffolding elements. Made of 50x50cm profile. Does not have lifting hooks.

Article Nr.	Dimensions (m)	Weight (kg)
RNS-07113	1,15 x 0,75	35,5

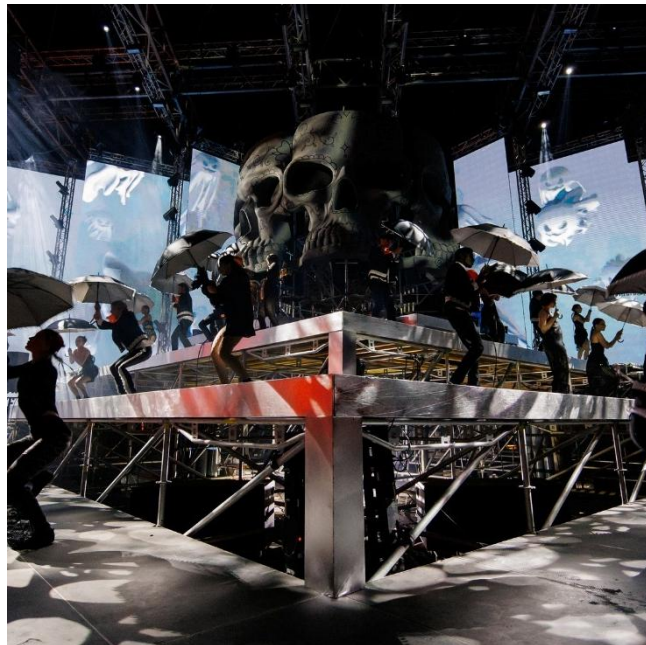


# EVENT SOLUTIONS BY OLAN

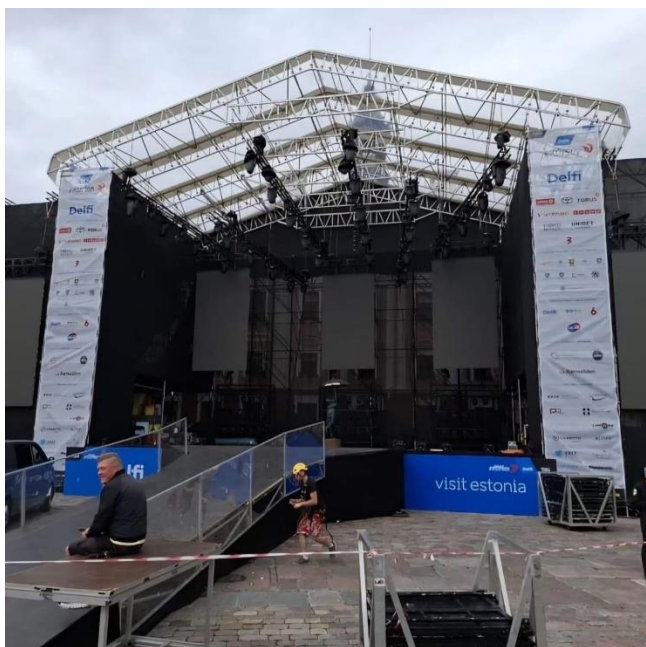
With our R+ scaffolding system and specialized components, you can easily assemble temporary structures such as stands, towers, or stages. Combine it with the COVEX aluminium temporary roof (see relevant catalogue) to create a complete stage solution ready for any event.



*Temporary stand on Guns N' Roses concert*



*Podium assembled on scaffolding*



*Stage of scaffolding and COVEX roof on WRC*

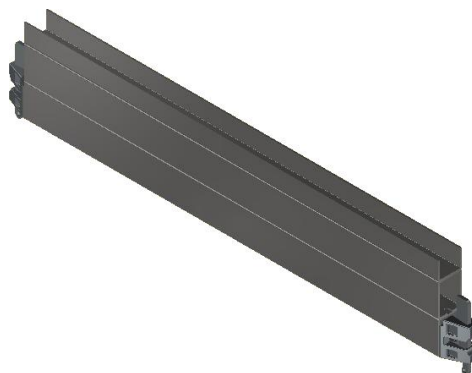


*Pavillion of scaffolding and COVEX roof*

## EVENT TRANSON

Made of steel with wedge connection heads is a heavy-duty solution to handle event decks.

Article Nr.	Dimensions (m)	Weight (kg)
RSR-80086	0,86	11,0
RSR-80100	1,00	14,5
RSR-80104	1,04	14,6
RSR-80200	2,00	24,0
RSR-80207	2,07	26,1
RNS-80257	2,57	31,7



## BASE BEAM

Reinforced beam to handle the most demanding forces. Can be produced with pipe or u-profile on top.

Article Nr.	Dimensions (m)	Weight (kg)
RSR-52086	0,86	29,8
RSR-52100	1,00	30,9
RSR-52104	1,04	31,4
RSR-52200	2,00	55,0
RSR-52207	2,07	56,0



## GUARDRAIL POST

Attached with wedge heads on standards. Guardrails could be hung on rosette or universal

Article Nr.	Dimensions (m)	Weight (kg)
RSR-86164	1,64	13,5
RSR-86170	1,70	11,7



## EVENT DECK

Aluminium frame deck with plywood floor. Deck is hung on u-hooks, allowing to utilize standard u-transom.

\*placed on top of event transom

Article Nr.	Dimensions (m)	Weight (kg)
RSR-88157	1,57 x 0,86	26,8
RSR-88257	2,57 x 0,86	42,4
RSR-89200*	2,00 x 1,00	37,0
RSR-89207*	2,07 x 1,04	38,4



## GUARDRAIL

Side protection for stages and podiums. Standard height is 1,10m

Article Nr.	Dimensions (m)	Weight (kg)
RSR-87073	0,73	8,7
RSR-87100	1,00	14,7
RSR-87104	1,04	15,0
RSR-87140	1,40	19,0
RSR-87157	1,57	20,0
RSR-87200	2,00	25,0
RSR-87207	2,07	25,4
RSR-87257	2,57	30,1



## STAIRWAY BEAM

In addition to standardized stairway beams, we produce sizes according to your requests.

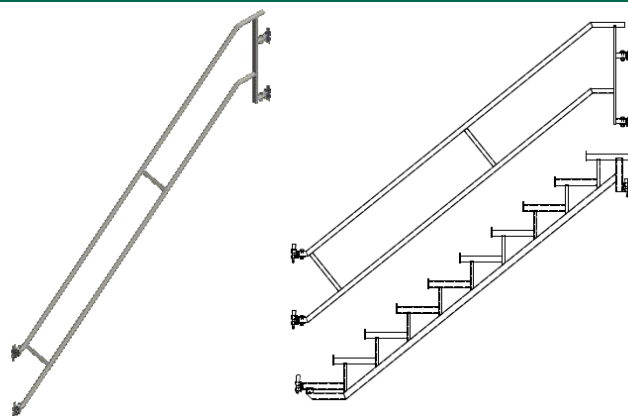
Article Nr.	Dimensions (m)	Weight (kg)
RSR-89100	1,57 x 1,00	18,2
RSR-89257-9	2,57 x 1,50	28,4
RSR-89257-10	2,57 x 1,50	28,7



## STAIRWAY GUARDRAIL

A type of guardrail we offer for standard aluminium stairways adapted to the use with beams.

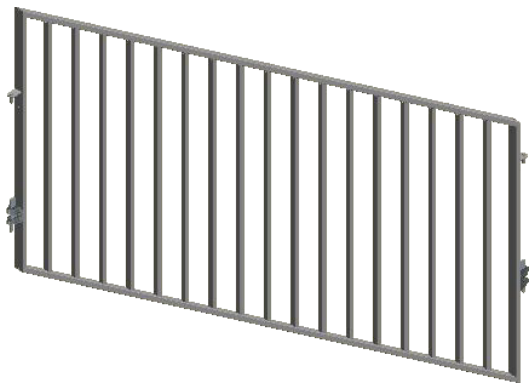
Article Nr.	Dimensions (m)	Weight (kg)
RSR-89257P	2,57 x 1,50	11,0



## STAIRWAY GUARDRAIL

Grated guardrails adapted to the use on stairways.

Article Nr.	Dimensions (m)	Weight (kg)
RSR-87010	1,57 x 1,00	22,5
RSR-87011	2,57 x 1,50	30,5



## STAND BEAM

Given beam is used to assemble stand levels. Adapted for various types of platforms: stage, steel or aluminium decks.

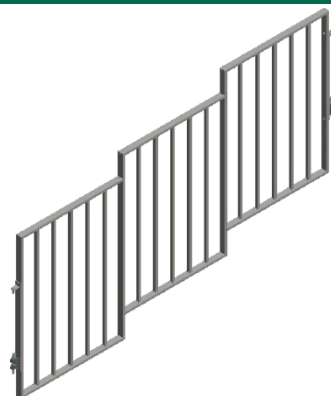
Article Nr.	Dimensions (m)	Weight (kg)
RSR-82257T	1,72 x 0,40	14,5



## STAND GUARDRAIL

Grated guardrails adapted to the use on the sides of temporary stands.

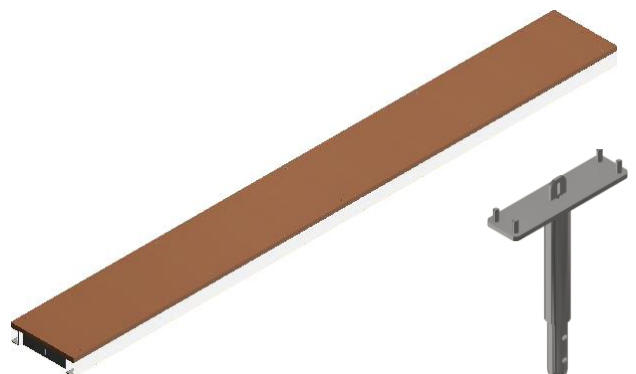
Article Nr.	Dimensions (m)	Weight (kg)
RSR-87001	2,57 x 1,10	34,1



## STAND BENCH

A seating element for tribunes. Plastic chairs can be mounted on top of the stand bench.

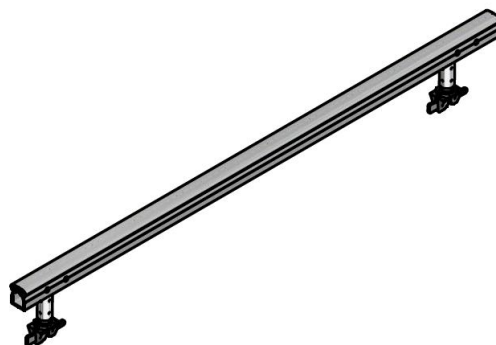
Article Nr.	Dimensions (m)	Weight (kg)
RSR-84157	1,57 x 0,30	10,6
RSR-84207	2,07 x 0,30	13,8
RSR-84257	2,57 x 0,30	16,8
RSR-80001	0,38	3,5



## TILT RAIL

An element mounted on a post. Allows to put keder tilts on sides of scaffolding structure to create enclosed spaces.

Article Nr.	Dimensions (m)	Weight (kg)
COV-09102	1,00	3,5
COV-09180	1,80	6,4
COV-09202	2,00	6,5
COV-09252	2,50	7,6
COV-09302	3,00	9,3



## TILT ROOF RAIL

Roof adapter for tilt rails.

Article Nr.	Dimensions (m)	Weight (kg)
COV-09257S	1,57 x 1,00	22,5
COV-09400S	2,57 x 1,50	30,5

