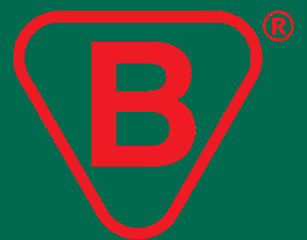




FRAME SCAFFOLDING EURO+



OLAN – YOUR RELIABLE SCAFFOLDING SUPPLIER

2006

Founded by a synergy of Polish, Lithuanian and Norwegian entrepreneurs, we were focused on providing high quality scaffolding to local and foreign markets right from the beginning

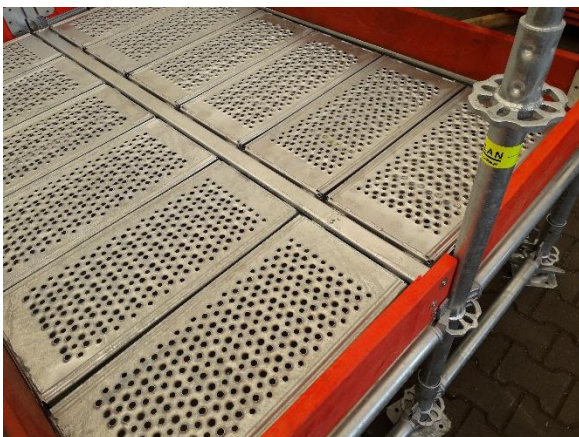
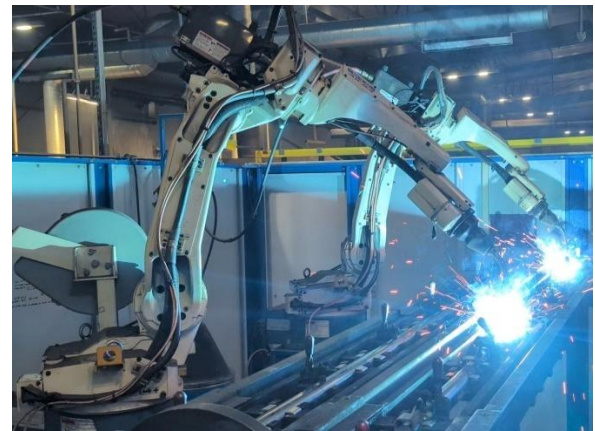


2012

OLAN moved to a newly built manufacturing facility in Żabokliki, Siedlce in Poland. Integration of new profiling, welding and assembly technologies allowed us to reach new heights

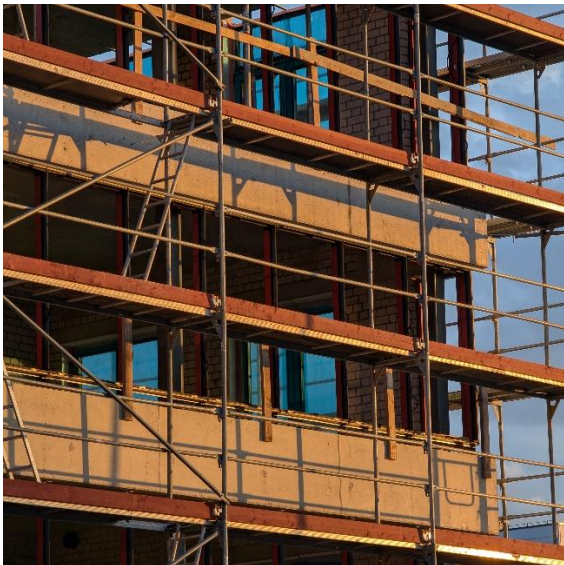
TODAY

We offer three scaffolding systems that are produced in both steel and aluminium. These are modular scaffolding R+, façade scaffolding EURO+ and Scandinavian type FOX. In addition, we supply temporary roofs, formwork and supporting modular towers, as well as temporary stand systems and masts



FRAME SCAFFOLDING EURO+

Our frame-type scaffolding is fully designed and manufactured in-house at OLAN, ensuring complete quality control at every stage. The system has proven to be a reliable and versatile solution for construction. It is certified according to EN-12810 and EN-12811 standards.



To guarantee top performance, we invest heavily in prototyping and testing, using only premium-grade steel and aluminium materials. Precision manufacturing with CNC technology ensures exact dimensional accuracy, while EN 1090-certified welding provides superior structural integrity.

All components are hot-dip galvanized by our long-term trusted partners, protecting the system from corrosion and environmental wear. The result is a scaffolding system built for maximum durability, safety, and decades of dependable use.



STEEL FRAME

Frame is made of 48.3mm pipe. Upper u-profile is suitable for two 32cm planks or one aluminium plank with 61cm width. In addition to standard 2m size, lower frames are available to eliminate terrain irregularities.

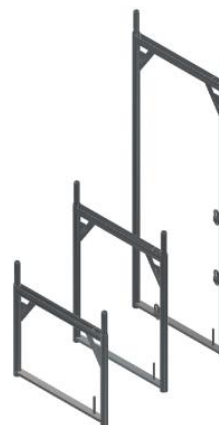
Article Nr.	Dimensions (m)	Weight (kg)
RFS-07067	0,66 x 0,73	10,0
RFS-07101	1,00 x 0,73	12,8
RFS-07151	1,50 x 0,73	15,6
RFS-07203	2,00 x 0,73	19,8
RFS-10201	2,00 x 1,09	21,0



ALUMINIUM FRAME

A lighter version of steel frame with the same durability. It allows to speed up the assembly and decrease logistics costs.

Article Nr.	Dimensions (m)	Weight (kg)
RFA-07066	0,66 x 0,73	5,1
RFA-07100	1,00 x 0,73	6,4
RFA-07150	1,50 x 0,73	8,2
RFA-07200	2,00 x 0,73	9,7



FRAME WITH 4 GUARDRAIL WEDGES

Façade frame with additional guardrail wedges on internal side for additional protection.

*aluminium version

Article Nr.	Dimensions (m)	Weight (kg)
RFS-07203K	2,00 x 0,73	20,0
RFA-07203K*	2,00 x 0,73	9,9



BYPASS STEEL FRAME

Used to assemble scaffolding around balconies and roof barriers.

Article Nr.	Dimensions (m)	Weight (kg)
RFS-07211	2,00 x 0,73	23,5



GANTRY STEEL FRAME

A wide frame to ensure safe pedestrian passage under the assembled scaffolding.

Article Nr.	Dimensions (m)	Weight (kg)
RFS-27200	2,00 x 1,50	35,9



SECURITY PIN

Standard element to be used to connect two frames.

Article Nr.	Dimensions (m)	Weight (kg)
RFS-00011	-	0,1



BASE JACK

Base jack on 150x150mm foot with threaded pipe and nut.

*tilted base jack

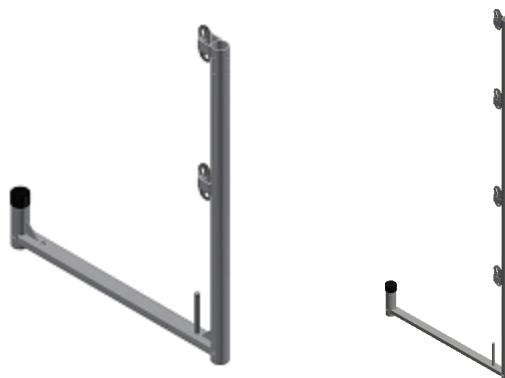
Article Nr.	Height (m)	Weight (kg)
RFS-12160	0,60	3,6
RFS-12080	0,80	5,2
RFS-12260*	0,60	3,3



STEEL TOP INTERMEDIATE FRAME

Ensure safety on top scaffolding level. Welded profile prevents any platform lift-off.

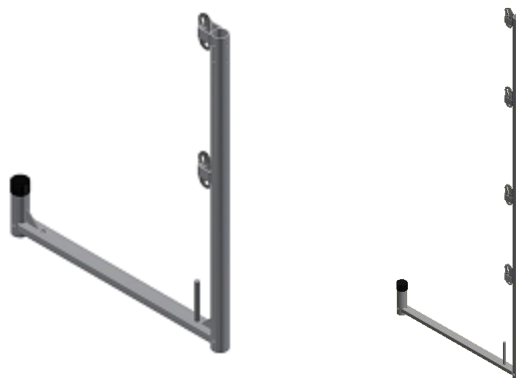
Article Nr.	Dimensions (m)	Weight (kg)
RFS-40073	1,00 x 0,73	5,5
RFS-11075	2,00 x 0,73	9,0



ALUMINIUM TOP INTERMEDIATE FRAME

A lighter version of steel intermediate frames

Article Nr.	Dimensions (m)	Weight (kg)
RFA-40073	1,00 x 0,73	3,3
RFA-11073	2,00 x 0,73	5,3



STEEL GUARDRAIL POST

Guardrail posts are as intermediate frames, but adapted to the use on consoles.

Article Nr.	Dimensions (m)	Weight (kg)
RFS-04073	1,00	4,2
RFS-11074	2,00	8,9



ALUMINIUM GUARDRAIL POST

A lighter alternative to steel guardrail post.

Article Nr.	Dimensions (m)	Weight (kg)
RFA-04073	1,00	2,2



STEEL TOP END FRAME

Ensures safety of front fields on the top level of scaffolding.

*with 4 guardrail weges

Article Nr.	Dimensions (m)	Weight (kg)
RFS-00073	1,00 x 0,73	12,0
RFS-00073K*	1,00 x 0,73	12,6
RFS-00109	1,00 x 1,09	14,4



ALUMINIUM TOP END FRAME

Aluminium version of top end frame.

*with 4 guardrail weges

Article Nr.	Dimensions (m)	Weight (kg)
RFA-00073	1,00 x 0,73	6,9
RFA-00073K*	1,00 x 0,73	7,3



MOBILE BEAM

Designed to assemble mobile towers utilizing frame scaffolding.

Article Nr.	Dimensions (m)	Weight (kg)
RFS-03073	0,73	26,3



DOUBLE END GUARDRAIL

Ensures security of the front fields on intermediate levels of scaffolding.

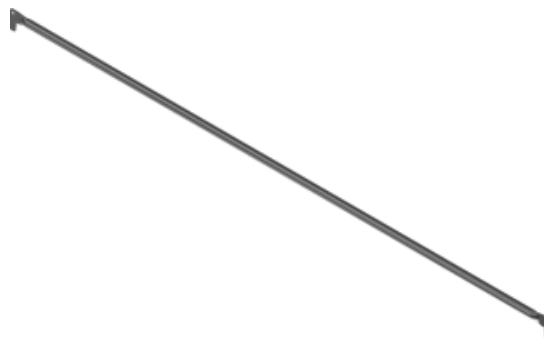
Article Nr.	Dimensions (m)	Weight (kg)
RFS-15073	0,73	3,8
RFA-15109	1,09	4,5



SINGLE GUARDRAIL

Made of Ø38mm steel pipe. Stiffens and stabilizes construction of the scaffolding. Designed to ensure security of scaffolding users.

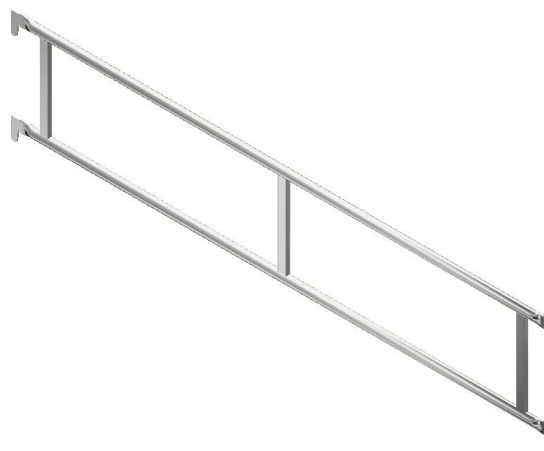
Article Nr.	Dimensions (m)	Weight (kg)
RFS-01073	0,73	1,6
RFS-01109	1,09	2,1
RFS-01157	1,57	3,1
RFS-01207	2,07	3,4
RFS-01257	2,57	4,0
RFS-01307	3,07	4,9



DOUBLE ALUMINIUM GUARDRAIL

A lighter alternative to use instead of two single guardrails.

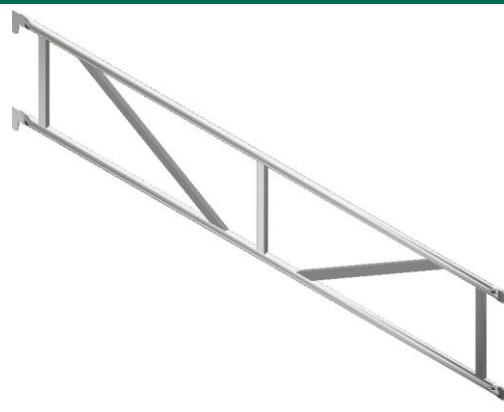
Article Nr.	Dimensions (m)	Weight (kg)
RFA-01073	0,73	2,4
RFA-01109	1,09	2,8
RFA-01157	1,57	3,4
RFA-01207	2,07	4,2
RFA-01257	2,57	5,0
RFA-01307	3,07	5,8



DOUBLE ALUMINIUM CONCENTRIC GUARDRAIL

Additional diagonal ensures stiffer structure. Allows to discard the use of vertical diagonals on scaffolding designs with total height of up to 4m.

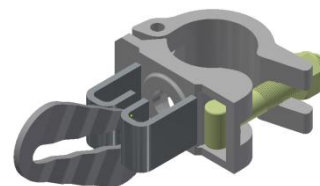
Article Nr.	Dimensions (m)	Weight (kg)
RFA-02157	1,57	3,9
RFA-02207	2,07	4,6
RFA-02257	2,57	6,6
RFA-02307	3,07	7,5



GUARDRAIL WEDGE COUPLER

Allows to attach additional guardrails outside of standard fields

Article Nr.	Dimensions (m)	Weight (kg)
ZNN-07048	-	0,9



STEEL DECK 0,32 WITH HANDLEBARS

Hot dip galvanized perforated profile with hooks for installation on u-profile. Planks have welded handlebars for easier handling and installation.
C – weight class



Article Nr.	C	Dimensions (m)	Weight (kg)
RFS-85157	6	1,57 x 0,32	10,8
RFS-85207	6	2,07 x 0,32	13,7
RFS-85257	5	2,57 x 0,32	16,1
RFS-85307	4	3,07 x 0,32	18,9

STEEL DECK 0,32

Steel plank without handlebars.

Article Nr.	C	Dimensions (m)	Weight (kg)
RFS-84073	6	0,73 x 0,32	5,4
RFS-84109	6	1,09 x 0,32	7,5
RFS-84157	6	1,57 x 0,32	10,1



ALUMINIUM DECK 0,32 WITH HANDLEBARS

Perforated aluminium deck with handlebars.

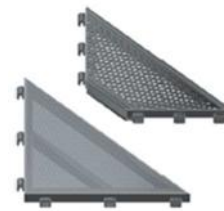


Article Nr.	C	Dimensions (m)	Weight (kg)
RFA-32157N	6	1,57 x 0,32	6,5
RFA-32207N	6	2,07 x 0,32	7,8
RFA-32257N	5	2,57 x 0,32	9,2
RFA-32307N	4	3,07 x 0,32	10,5

TRIANGULAR STEEL DECK

A more reliable and safer solution for scaffolding corners than wooden planks

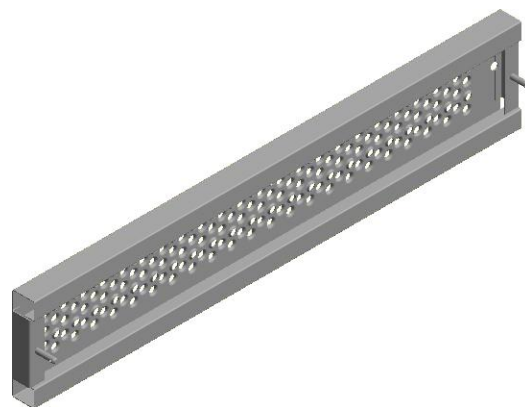
Article Nr.	Type	Dimensions (m)	Weight (kg)
RFS-84001	U	0,73 x 0,73	5,6
RFS-84010	U	1,09 x 1,09	13,4



STEEL GAP DECK

Non-slip and non-flammable bridging element that is a lighter and safer alternative to wooden planks.

Article Nr.	Dimensions (m)	Weight (kg)
RFS-30100L	1,00 x 0,30	6,5
RFS-30150L	1,50 x 0,30	9,3
RFS-30200L	2,00 x 0,30	12,2
RFS-30250L	2,50 x 0,30	15,0
RFS-30300L	3,00 x 0,30	17,7
RFS-19100L	1,00 x 0,19	4,8
RFS-19150L	1,50 x 0,19	7,0
RFS-19200L	2,00 x 0,19	9,2
RFS-19250L	2,50 x 0,19	11,5
RFS-19300L	3,00 x 0,19	14,0



U-DECK LIFT-OFF PROTECTION

Universal solution to prevent deck lift-off on frames and consoles .

Article Nr.	Dimensions (m)	Weight (kg)
RFS-16036	0,36	1,0
RFS-16073	0,73	1,8
RFS-16109	1,09	2,5



U-TRANSOM

Transoms for deck installation on the first level of scaffolding, or at any adjusted height out of standard dimensions.

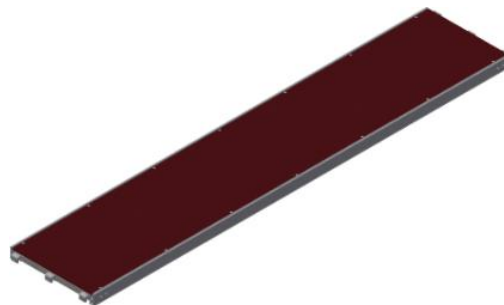
Article Nr.	Type	Weight (kg)
RFS-22730	Standard	3,0
RFS-22073	Coupler	3,1



ALUMINIUM DECK 0,61

Frame of the deck is made of aluminium profile. The surface could be either plywood (N) or composite (L). One aluminium deck substitutes two 0,32 decks

Article Nr.	C	Dimensions (m)	Weight (kg)
RFA-61073N	3	0,73 x 0,61	6,3
RFA-61109N	3	1,09 x 0,61	8,8
RFA-61157N	3	1,57 x 0,61	13,0
RFA-61207N	3	2,07 x 0,61	17,0
RFA-61257N	3	2,57 x 0,61	19,5
RFA-61307N	3	3,07 x 0,61	23,0
RFA-61073L	3	0,73 x 0,61	6,0
RFA-61109L	3	1,09 x 0,61	8,0
RFA-61157L	3	1,57 x 0,61	12,0
RFA-61207L	3	2,07 x 0,61	12,5
RFA-61257L	3	2,57 x 0,61	14,8
RFA-61307L	3	3,07 x 0,61	17,5



ALUMINIUM ACCESS DECK 0,61 WITH LADDER

Aluminium deck with access ladder for floor communication. Surface could be either plywood (N) or composite (L)

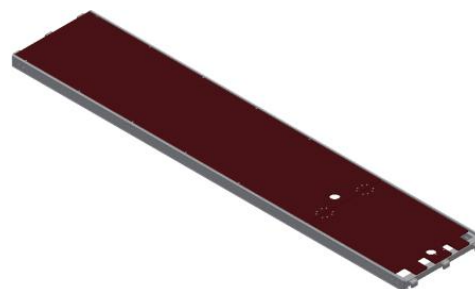
Article Nr.	C	Dimensions (m)	Weight (kg)
RFA-61257N	3	2,57 x 0,61	26,5
RFA-61307N	3	3,07 x 0,61	29,5
RFA-61257L	3	2,57 x 0,61	18,8
RFA-61307L	3	3,07 x 0,61	21,0



ALUMINIUM ACCESS DECK 0,61 WITHOUT LADDER

Aluminium access deck without ladder for floor communication. Require an additional ladder (see RFS-01021 or RFA-01021). Surface could be either plywood (N) or composite (L)

Article Nr.	C	Dimensions (m)	Weight (kg)
RFA-62157N	3	1,57 x 0,61	17,1
RFA-62207N	3	2,07 x 0,61	20,1
RFA-62257N	3	2,57 x 0,61	23,1
RFA-62307N	3	3,07 x 0,61	26,1
RFA-62157L	3	1,57 x 0,61	13,4
RFA-62207L	3	2,07 x 0,61	16,2
RFA-62257L	3	2,57 x 0,61	17,8
RFA-62307L	3	3,07 x 0,61	20,0



GROOVED ALUMINIUM DECK 0,61

Aluminium deck with grooved aluminum surface.

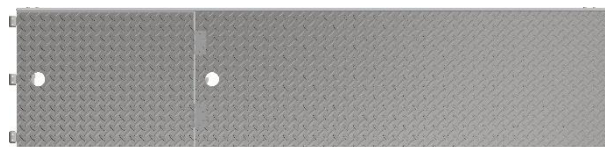
Article Nr.	C	Dimensions (m)	Weight (kg)
RFA-71207LN	3	2,07 x 0,61	14,5
RFA-71257LN	3	2,57 x 0,61	17,5
RFA-71307LN	3	3,07 x 0,61	20,5



GROOVED ALUMINIUM ACCESS DECK 0,61

Aluminium frame access deck with grooved aluminium surface.

Article Nr.	C	Dimensions (m)	Weight (kg)
RFA-70257LN	3	2,57 x 0,61	28,0
RFA-70307LN	3	3,07 x 0,61	33,0



TOE BOARD

Wooden toe board impregnated with paint and finished with steel hooks. Mounted at the height of the platform. Used to secure platforms. Upon request colour can be customized.

Article Nr.	Dimensions (m)	Weight (kg)
RFS-20073	0,73	1,8
RFS-20109	1,09	2,7
RFS-20157	1,57	4,2
RFS-20207	2,07	5,4
RFS-20257	2,57	6,7
RFS-20307	3,07	7,8



TOE BOARD COUPLER

Used for additional connection to put toe board.

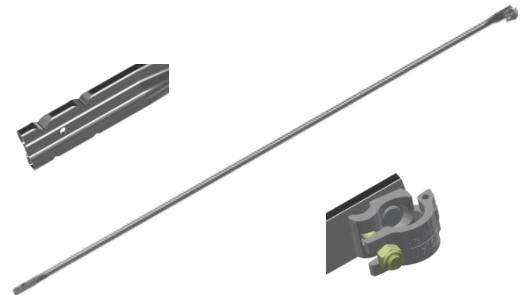
Article Nr.	Type	Weight (kg)
ZNN-07110	standard	0,9
ZNN-07111	with wedge	0,9



DIAGONAL BRACE

Stiffens the structure vertically. Made of Ø42mm pipe with half coupling on its end.

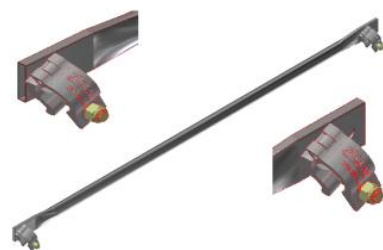
Article Nr.	Dimensions (m)	Weight (kg)
RFS-50207	2,07	6,4
RFS-50257	2,57	6,9
RFS-50307	3,07	7,8



DIAGONAL BRACE WITH 2 COUPLERS

Diagonal with two half-couplers.

Article Nr.	Dimensions (m)	Weight (kg)
RFS-54177	1,77	5,5
RFS-54195	1,95	5,6
RFS-50257K	2,57	7,5
RFS-50307K	3,07	8,8



HORIZONTAL BRACE

Stiffens the lower level of scaffolding together with diagonal brace.

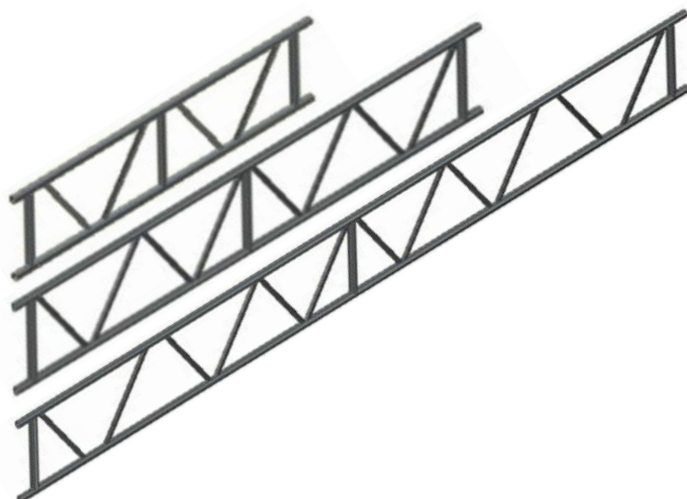
Article Nr.	Dimensions (m)	Weight (kg)
RFS-55207	2,07	9,2
RFS-55257	2,57	11,1
RFS-55307	3,07	13,0



STEEL LATTICE BEAM

Beams are used to make hanging platforms or a passage under scaffolding structure.

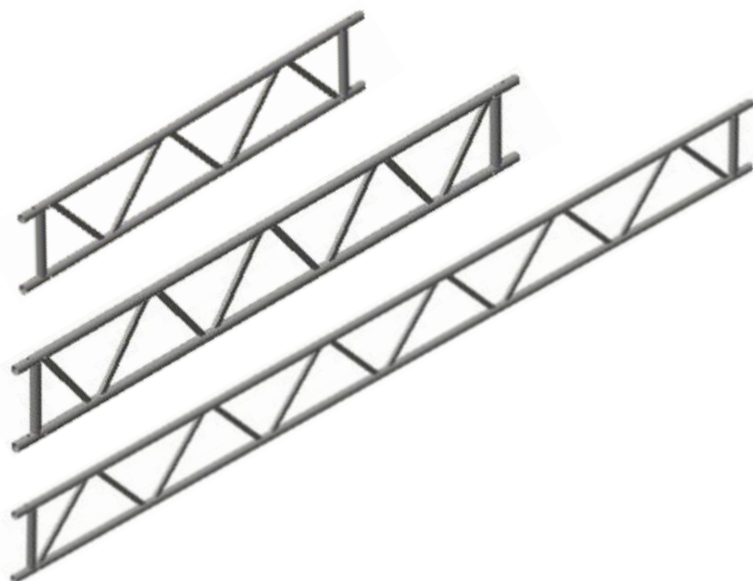
Article Nr.	Dimensions (m)	Weight (kg)
RFS-05324	3,24 x 0,50	35,5
RFS-05424	4,24 x 0,50	45,5
RFS-05524	5,24 x 0,50	54,5
RFS-05624	6,24 x 0,50	64,0



ALUMINIUM LATTICE BEAM

A lighter alternative to steel beams. Faster to handle, assemble and disassemble

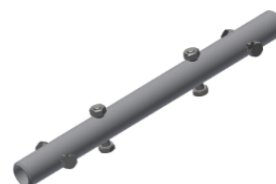
Article Nr.	Dimensions (m)	Weight (kg)
RFA-04300	3,00 x 0,40	15,7
RFA-04400	4,00 x 0,40	18,0
RFA-04524	5,24 x 0,40	20,9
RFA-04600	6,00 x 0,40	24,7
RFA-04624	6,24 x 0,40	25,1
RFA-04800	8,00 x 0,40	33,2
RFA-04824	8,24 x 0,40	34,0
RFA-05324	3,24 x 0,50	14,2
RFA-05424	4,24 x 0,50	18,8
RFA-05524	5,24 x 0,50	22,6
RFA-05624	6,24 x 0,50	26,4
RFA-05824	8,24 x 0,50	34,4



LATTICE BEAM CONNECTOR

Used with aluminium lattice beams. Allows to connect beams of various lengths.

Article Nr.	Dimensions (m)	Weight (kg)
RFA-05001	0,4	2,1



INTERMEDIATE LEDGER 0,73 FOR LATTICE BEAM

Placed on top of beams to continue construction in standard scaffolding dimensions with 0,73m frames.

Article Nr.	Type	Weight (kg)
RFS-51073	U	6.5
RFS-52073	O	6.5



DECK TRAVERSE FOR LATTICE BEAM

Used to put on top of lattice beams to put decks on top.

Article Nr.	Dimensions (m)	Weight (kg)
RFA-21064	0,64	2,7
RFA-21090	0,90	3,3
RFA-21160	1,60	5,2
RFA-21192	1,92	5,8
RFA-21300	3,00	8,5
RFA-21400	4,00	10,2
RFA-21500	5,00	12,7
RFA-21600	6,00	15,2



ACCESS LADDER

Ladder with perforated steps.
*aluminium version

Article Nr.	Dimensions (m)	Weight (kg)
RFS-01021	2,15	10,6
RFS-01031	3,0	12,3
RFS-01041	4,0	12,5
RFA-01021*	2,15	3,8



INITIAL STAIRWAY

Provides convenient access to the lower level of scaffolding or a communication between two structures with various heights.

*Steps are made of perforated sheet

Article Nr.	Type	Dimensions (m)	Weight (kg)
RFA-30100N*	U	1,00 x 0,64	14,1
RFA-35100N	U	1,00 x 0,64	14,2



ALUMINIUM STAIRWAY

Convenient access to the scaffolding and material transportation.

*Steps made of perforated sheet

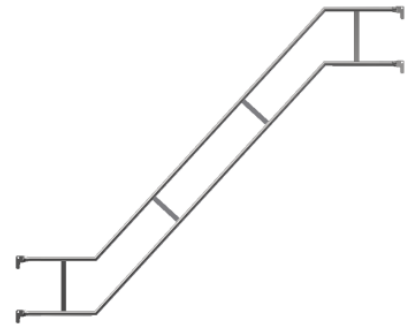
Article Nr.	Type	Dimensions (m)	Weight (kg)
RFA-35257N	U	2,57 x 2,00	23,0
RFA-35307N	U	3,07 x 2,00	27,0
RFA-30257N*	U	2,57 x 2,00	23,0
RFA-30307N*	U	3,07 x 2,00	27,0
RFA-15710N	U	1,57 x 1,00	



STAIRWAY GUARDRAIL

Ensures safety on the stairways.

Article Nr.	Dimensions (m)	Weight (kg)
RFA-31257	2,57 x 2,00	7,2
RFA-31307	3,07 x 2,00	8,2



INTERNAL STAIRWAY GUARDRAIL

Ensures safety on the internal side of stairway.

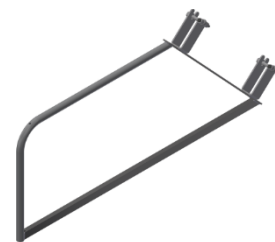
Article Nr.	Dimensions (m)	Weight (kg)
RFS-32001	-	12,0



STAIRWELL GUARDRAIL

Ensures safety on staircases for fall protection.

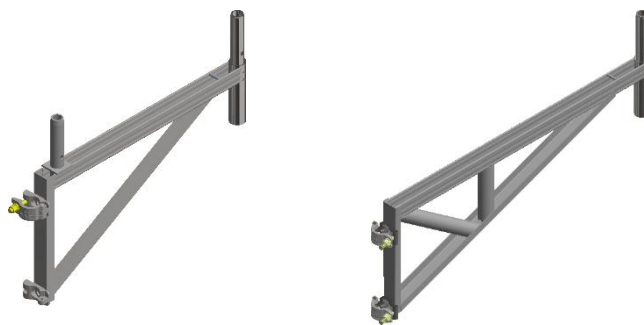
Article Nr.	Dimensions (m)	Weight (kg)
RFS-32002	-	5,5



CONSOLE BRACKET

Used to widen scaffolding field. Maximum load of 0,36m console – 3kN/m², 0.73m – 1kN/m². As additional support to increase the load use transverse braces.

Article Nr.	Dimensions (m)	Weight (kg)
RFS-12036	0,36	3,7
RFS-12073	0,73	6,2
RFS-12074	0,73 x 2,00	18,5
RFS-12109	1,09	11,9



PROTECTIVE ROOF CONSOLE

Used to secure pedestrians from potential fall of objects from scaffolding. Is put on top of 0,73m console.

Article Nr.	Dimensions (m)	Weight (kg)
RFS-14073	0,73	5,9



WEATHER PROTECTION CONSOLE

Is put on top of frame on the highest scaffolding floor to provide additional protection from rain and snow for labor.

Article Nr.	Dimensions (m)	Weight (kg)
RFS-11078	0,73	13,4



JIB FOR BLOCK

A necessary assistance for vertical material handling.

Article Nr.	Dimensions (m)	Weight (kg)
RFS-25080	0,85	7,0



WALL TIE

Ensures safe anchoring of scaffolding structure to the walls.

Article Nr.	Dimensions (m)	Weight (kg)
RFS-17040	0,40	1,7
RFS-17050	0,50	2,0
RFS-17085	0,85	3,1
RFS-17110	1,10	4,8
RFS-17130	1,30	4,9



EYE BOLT

Is screwed into the wall to attach wall tie to.

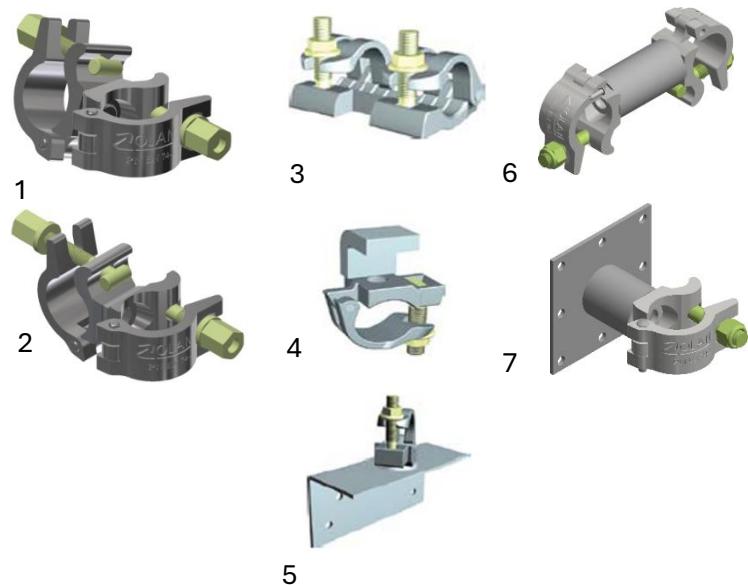
Article Nr.	Dimensions (m)	Weight (kg)
ZSR-0120	0,12	0,1
ZSR-00300	0,30	0,3



COUPLERS

We provide a wide range of couplers for any need there could be on a scaffolding site.

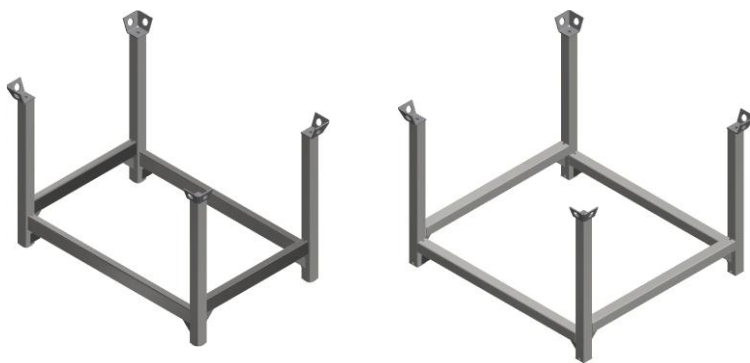
	Article Nr.	Type	Weight (kg)
1	ZNN-ZB01CH	Swivel	1,0
2	ZNN-ZB02CH	Rigid	0,8
3	ZNN-07049	Sleeve	1,5
4	ZNN-07030	Hook	1,0
5	ZNN-07200	Angle bracket	1,7
6	RFS-22001	Distance	1,8
7	RSR-22053	Wall-coupler	1,2



MODULAR PALETTE

Used for easy transportation and storage of scaffolding elements.

Article Nr.	Dimensions (m)	Weight (kg)
RFS-61280	1,20 x 0,80	31,4
RFS-61290	1,20 x 0,90	31,9
RFS-61211	1,20 x 1,10	33,5



MODULAR BOX

An effective solution to store small elements like base jacks or couplers.

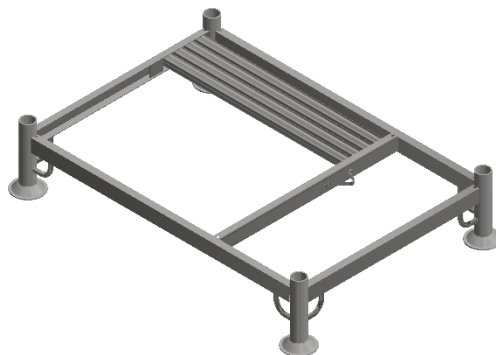
Article Nr.	Dimensions (m)	Weight (kg)
RFS-61281A	1,20 x 0,80	58,5
RFS-61281B	1,20 x 0,80	60,0



TUBE PALETTE

Compact and robust pallet. Easy to store in case pallet is not in use.

Article Nr.	Dimensions (m)	Weight (kg)
RFS-61285	1,25 x 0,85	35,5



PALETTE FOR FRAMES

Used to store and transport 20 frames. Can be used to store the whole set of frame scaffolding of 64 m².

Article Nr.	Dimensions (m)	Weight (kg)
RFS-61274	1,20 x 0,73	19,5

